

LK HydronicGroup 90

Technical data

Voltage:	230 VAC 50/60 Hz
Power consumption:	10-75 W depending on pump speed
Working temperature:	Min. +5 °C/Max. +100 °C
Ambient temperature:	Min. +5 °C/Max. +58 °C
Max. working pressure:	1.0 MPa (10 bar)
Leakage:	< 0,2% of Kvs at 100 kPa
Media 1:	Water - Ethylene glycol mixture max. 50%
Thread standard:	G - male thread, R - female thread
Circulating pumps:	Wilo PARA 15-130/8-75/SC-9, Taco ES2C 15-70-130
Material, valve body:	Brass EN 12165 CW617N
Material, insulation:	Expanded Polypropylene EPP

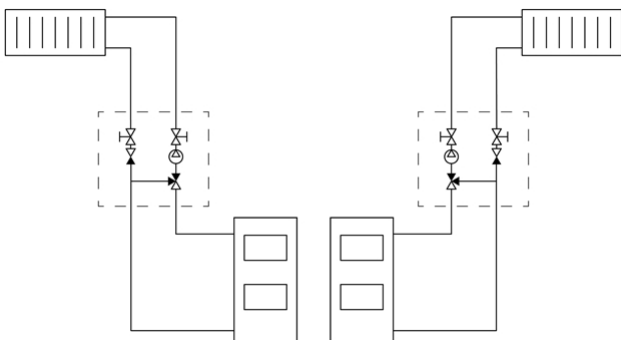


LK HydronicGroup is a complete pump group that is suitable for heating systems where direct supply or mixed supply is desirable.

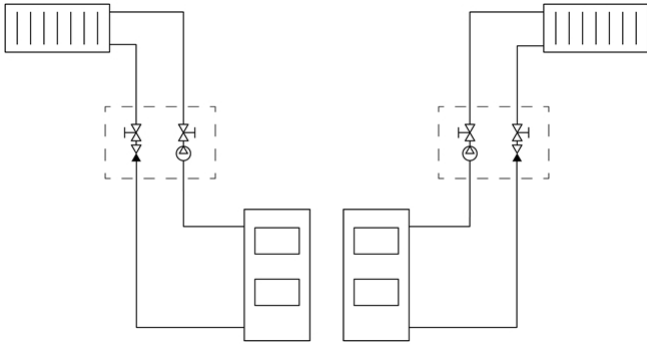
LK HydronicGroup comprises a high efficient circulation pump, insulation, wall mounting bracket and two ball valves with thermometer. In the model where mixed supply is desired, a three-way mixing valve is included.

A manifold for two, optionally three, pump groups is available as an accessory, see accessories and spare parts. Wall mounting bracket is not included with manifold, it must be ordered separately, see accessories and spare parts.

With Mixing valve



Direct Supply



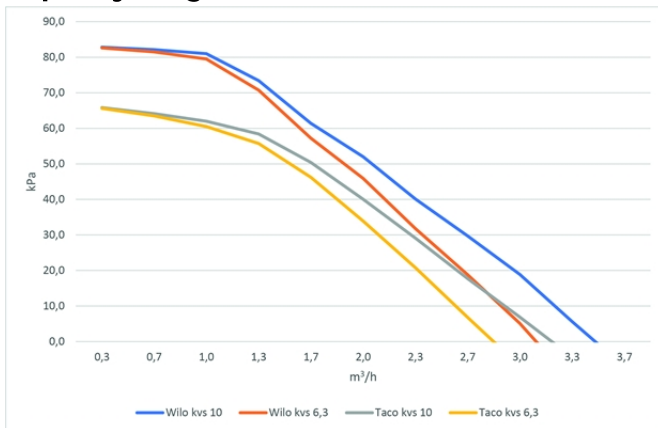
LK 861 Right



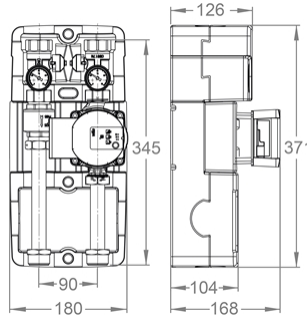
LK 861 Left



Capacity Diagram

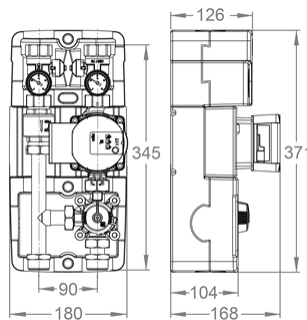


LK 861 HydronicGroup 90



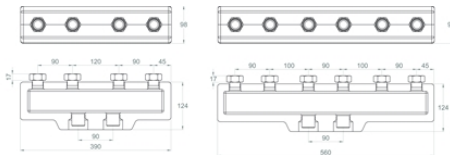
Article no.	Type	Dim.	Weight (kg)
299172	Wilo PARA 15-130/8-75/SC-9	F 1" x M 1"	3.7
299174	Taco ES2C 15-70-130	F 1" x M 1"	3.7

LK 862 HydronicGroup 90R



Article no.	Type	Dim.	Kvs m ³ /h	Weight (kg)
299171	Wilo PARA 15-130/8-75/SC-9	F 1" x M 1"	6.3 / 10	4.0
299173	Taco ES2C 15-70-130	F 1" x M 1"	6.3 / 10	4.0

LK 860 HydronicGroup 90



Article no.	Type	Dim.	Note	Weight (kg)
182125	2 units	F 1" x M 1"	0,3 MPa (3 Bar)	3.3
182126	3 units	M 1" x F 1"	0,3 MPa (3 Bar)	4.5

Spare parts & Accessories

Article no.	Article	Position
187227	Wilo PARA 15-130/8-75/SC-9	1
187228	Taco ES2C 15-70-130	1
182125	LK 860 - Manifold 2 pc groups	2
187190	Repair kit LK 840 DN 15-20	9
182126	LK 860 - Manifold 3 pc groups	3
187229	Bracket for manifold	4
187230	EPP Insulation	5
187231	Ballvalve, LK 316 F1" / F1"	6
187233	LK 850 - Mixing valve Kvs 6.3/10	8
095018	Thermometer T40, 0° - 80°C	7