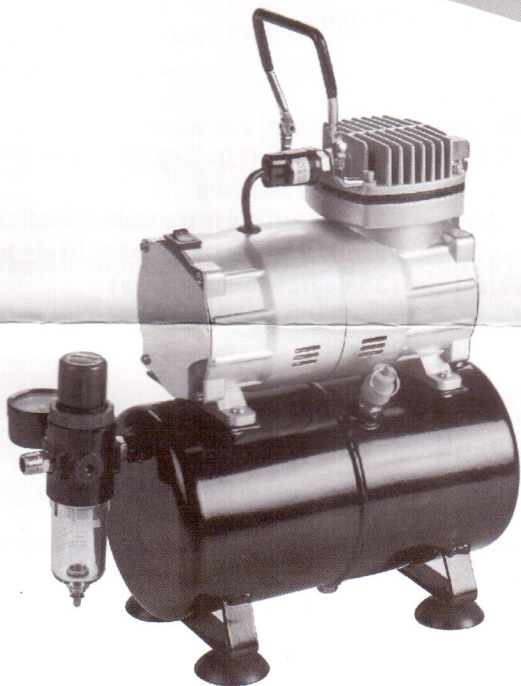


INSTRUCTION MANUAL

MINI AIR COMPRESSOR

TC-20T, TC-22T, TC-80T, TC-82T

Thanks for purchasing our air compressor and please read this Instruction Manual carefully and thoroughly before operating the air compressor to receive optimum results.



A. Features

- Piston type, oil free, none air polluted.
- It can start with pressure, continuous working, powerful.
- Air tank, providing smooth air flow, zero pulse.
- Safety protected devices for air tank.
- Air pressure gauge, air filter, pressure adjustable.
- Much Safer! Thermally protected!
- It will turn off automatically when the power over heated.
- Low noise, 47db.
- CE, ETL, ROHS Approved.



Cerbos

küttesüsteemid • müük • paigaldus • hooldus

tel 442 0222 / 434 1000 • www.cerbos.ee • info@cerbos.ee

B. Specifications

Type: Single Cylinder Piston Compressor

Power: 1/5 HP

Voltage: 220-240V/50HZ, 110-120V/60HZ, 220V/60HZ

Air output per min./litres : 20-25L/min

Auto stop, start at 3Bar, stop at 4Bar (special pressure available)

Air Tank: 3L

Fitting: manometer, pressure regulator, air filter

Connections: with connection 1/8"BSP (special fitting available)

Safety valve: release the air pressure automatically when the pressure over 6bar in the air tank

Dimension: 310X135X310mm

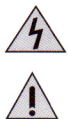
Electric Cable: 1.8 M

C. Installation

1. After taking the compressor out of its packaging, please check, it carefully for any damages due to shipping
2. Install the compressor on a flat surface in a suitable sized, dry room with good ventilation, where the temperature is not likely to rise above 94 degrees Farenheits (35 degress Centigrades)
3. Be sure the electrical line rating is proper to the appliance (refer to the data label), that the electrical line is protected and equipped of the ground line.
4. Dispose of the Packing Material in compliance with regulations in the country or state where the compressor is installed.

D. Safety

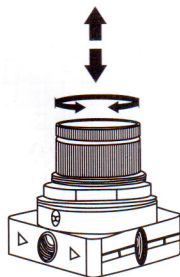
1. Do not use the Compressor for other purpose than the one it has been designed for.
2. Do not process other fluid than air.
3. Do not operate the compressor in explosive atmospheres , such as in the presence of flammable liquids, gases or dust.
4. Always make sure the unit is unplugged from the electrical line before performing any service , maintenance or cleaning.
5. Do not expose this unit to rain or moisture.
6. Do not allow children and other untrained people to use or play with the compressor.



7. To avoid the risk of burning, be aware that after extensive use of the compressor, some parts can be very hot. Allow the compressor to cool down before touching it.
8. Do not leave the compressor unattended while running.

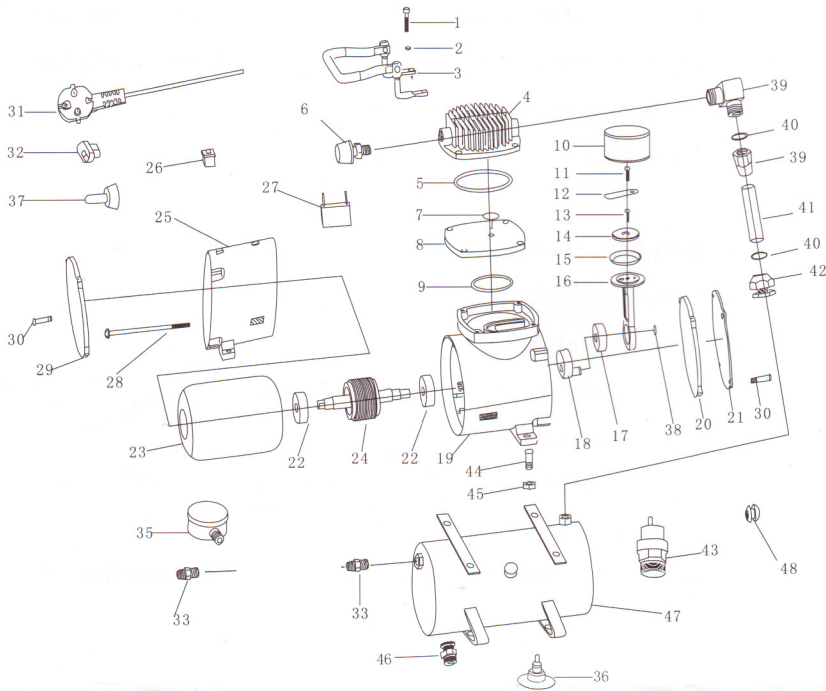
E. Operating Instructions

1. Connect the equipment for your application to the outgoing G1/8" BSP male fitting (special fitting available) at the front of the cylinder head. To keep the connecting fitting from leaking air you should always apply teflon tape to the thread of the fitting.
2. Connect the compressor to a protected power supply line with the same voltage as specified on the product label.
3. Adjust the outlet air pressure on the Filter/Regulator (see fig)
4. Compressor running is controlled automatically by a pressure switch, referring to the pressure in the outlet. Do not use the compressor continuously for longer than 10 minutes. Allow the compressor to cool down for 15 minutes after every 10 minutes working cycle. Motor is equipped with a thermal protector with automatic reset.



F. Compressor Maintenance

Clean the compressor after every use.



Parts List

INDEX NO.	DESCRIPTION	PARTS NO.	QTY	INDEX NO.	DESCRIPTION	PARTS NO.	QTY
1	SCREW	TC-20-01	4	25	REAR BODY	TC-20-25	1
2	WASHER	TC-20-02	8	26	POWER SWITCH	TC-20-26	1
3	HANDLE	TC-20-03	1	27	CONDENSER	TC-20-27	1
4	CYLINDER HEAD	TC-20-04	1	28	SCREW	TC-20-28	4
5	O-RING	TC-20-05	1	29	REAR COVER	TC-20-29	1
6	PRESSURE SWITCH	TC-20-06	1	30	SCREW	TC-20-30	8
7	CHECK VALVE	TC-20-07	1	31	POWER CABLE	TC-20-31	1
8	CYLINDER BLOCK	TC-20-08	1	32	LINE BUTTON	TC-20-32	1
9	O-RING	TC-20-09	1	33	NUT	TC-20-33	2
10	CYLINDER	TC-20-10	1				
11	SCREW	TC-20-11	1	35	MANOMETER	TC-20-35	1
12	VALVE PLATE	TC-20-12	1	36	MOTOR FOOT	TC-20T-36	4
13	SCREW	TC-20-13	1	37	PRESSING WIRE HAT	TC-20-37	6
14	PISTON PLATE	TC-20-14	1	38	SNAP RING	TC-20-38	1
15	PISTON RING	TC-20-15	1	39	NIPPLE	TC-20T-39	1
16	PISTON ROD	TC-20-16	1	40	O-RING	TC-20T-40	2
17	BEARING	TC-20-17	1	41	PIPE	TC-20T-41	1
18	CRANKSHAFT	TC-20-18	1	42	NIPPLE	TC-20T-42	1
19	FRONT BODY	TC-20-19	1	43	SAFE VALVE	TC-20T-43	1
20	PAPER PAD	TC-20-20	1	44	SCREW	TC-20T-44	8
21	FRONT COVER	TC-20-21	1	45	SCREW CAP	TC-20T-45	8
22	BEARING	TC-20-22	2	46	WATER VALVE	TC-20T-46	1
23	STATIONARY MOTOR	TC-20-23	1	47	TANK	TC-20T-47	1
24	ROTARY MOTOR	TC-20-24	1	48	LINE BUSHING	TC-20-39	1



Cerbos

küttesüsteemid • müük • paigaldus • hooldus

tel 442 0222 / 434 1000 • www.cerbos.ee • info@cerbos.ee