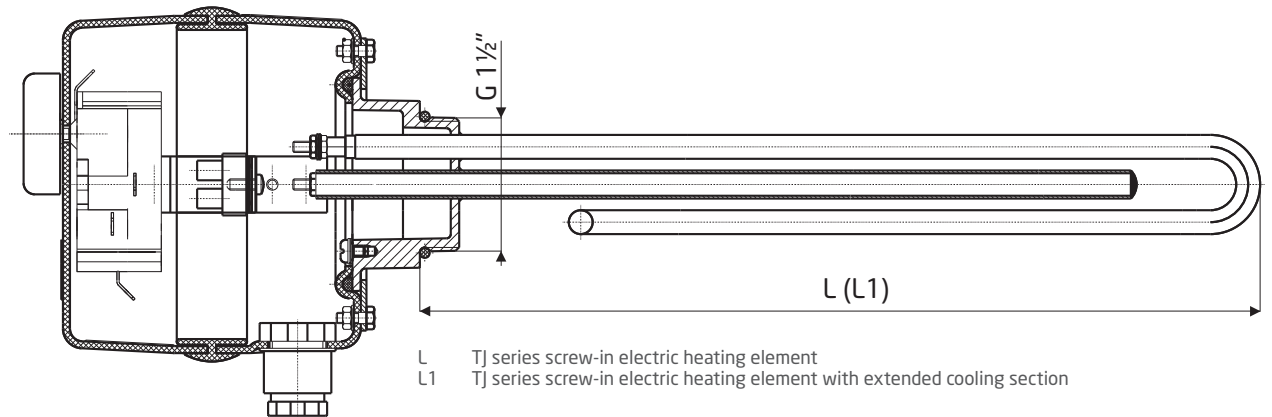


TJ 6/4" - 2
 TJ 6/4" - 2,5
 TJ 6/4" - 3,3
 TJ 6/4" - 3,75
 TJ 6/4" - 4,5
 TJ 6/4" - 6
 TJ 6/4" - 7,5
 TJ 6/4" - 9

ACCESSORIES

Threaded electric heating unit series TJ G 6/4"



Can be used also in water heaters 1500, 2000 litres with reduction G 2"-1 1/2"

Type	TJ 6/4" - 2	TJ 6/4" - 2,5	TJ 6/4" - 3,3	TJ 6/4" - 3,75	TJ 6/4" - 4,5	TJ 6/4" - 6	TJ 6/4" - 7,5	TJ 6/4" - 9
Output [kW]	2	2,5	3,3	3,75	4,5	6	7,5	9
Voltage [V/Hz]	1 PE-N 230/50 1 PE-N 230/50 3 PE-N 400/50 3 PE-N 400/50 3 PE-N 400/50 3 PE-N 400/50 3 PE-N 400/50 3 PE-N 400/50							
Heating time from 10°C to 60°C (approx. 150 l) [hour]	4,5	4	2,7	2,3	2	1,5	1,3	1
Heating time from 35°C to 60°C (approx. 150 l) [hour]	2,2	2	1,5	1,2	1	0,7	0,6	0,5
Electrical protection	IP 45	IP 45	IP 45	IP 45	IP 45	IP 45	IP 45	IP 45
Setting range [°C]	5-77	5-77	5-77	5-77	5-77	5-77	5-77	5-77
Unit length l [mm]	350	360	330	350	400	520	580	610
Weight [kg]	1,6	1,8	2	2,1	2,2	2,4	2,4	2,6

Possible mounting of electric heating units TJ 6/4" series is in table on page 44.

TABLE 1 - Mounting of elements TPK

Diameter vessel	Vessel ø 440 mm		Vessel ø 500 mm		Vessel ø 550 mm	Vessel ø 750 a 850 mm	Vessel ø 790, 1000 a 1100 mm
Type	OKCE 100 S/2,2 kW OKC 100 NTR/BP OKCE 100 NTR/2,2 kW OKCE 125 S/2,2 kW OKC 125 NTR/BP OKCE 125 NTR/2,2 kW	OKCE 160 S/3-6 kW OKCE 200 S/3-6 kW OKCE 250 S/3-6 kW	OKCE 160 S/2,2 kW OKCE 160 NTR/2,2 kW OKCE 200 S/2,2 kW OKC 200 NTR/BP OKC 200 NTRR/BP OKCE 200 NTR/2,2 kW OKCE 200 NTRR/2,2 kW	OKC 160 NTR/BP OKCE 250 S/2,2 kW OKC 250 NTR/BP OKC 250 NTRR/BP OKCE 250 NTR/2,2 kW OKCE 250 NTRR/2,2 kW	OKCE 300 S/1 MPa OKC 300 NTR/BP OKC 300 NTRR/BP OKCE 300 NTR/2,2 kW OKCE 300 NTRR/2,2 kW OKCE 300 NTR/3-6 kW OKCE 300 NTRR/3-6 kW	OKC 750 NTR/1 MPa OKC 750 NTRR/1 MPa OKC 1000 NTR/1 MPa OKC 1000 NTRR/1 MPa	OKCE 800 S / 1 MPa OKCE 1500 S / 1 MPa OKCE 2000 S / 1 MPa OKC 800 NTR / 1 MPa OKC 1500 NTR / 1 MPa OKC 2000 NTR / 1 MPa OKC 800 NTRR / 1 MPa OKC 1500 NTRR / 1 MPa OKC 2000 NTRR / 1 MPa
TPK 168-8/2,2 kW	YES	NO	YES	YES	NO	NO	NO
TPK 210-12/2,2 kW	NO	YES	NO	NO	YES	YES ²	YES
TPK 210-12/3-6 kW	NO	YES	NO	NO	YES	YES ²	YES
TPK 210-12/5-9 kW	NO	NO	NO	NO	YES ¹	YES ²	YES
TPK 210-12/8-12 kW	NO	NO	NO	NO	YES ¹	YES ²	YES

YES¹ Can be used only in OKCE 300S/1 MPa

YES² Only together with crossover flange 225/210

TABLE 2 - Mounting of elements TJ 6/4"

Diameter vessel	Vessel ø 500 mm		Vessel ø 550 mm	Vessel ø 600 mm	Vessel ø 750 a 850 mm	Vessel ø 790, 1000 a 1100 mm
Type	OKC 200 NTR/BP OKC 200 NTRR/BP OKCE 200 NTR/2,2 kW OKCE 200 NTRR/2,2 kW OKC 200 NTRR/SOL OKC 300 NTRR/SOL	OKC 250 NTR/BP OKC 250 NTRR/BP OKCE 250 NTR/2,2 kW OKCE 250 NTRR/2,2 kW OKC 250 NTRR/SOL	OKC 300 NTR/BP OKC 300 NTRR/BP OKCE 300 NTR/2,2 kW OKCE 300 NTRR/2,2 kW OKCE 300 NTR/3-6 kW OKCE 300 NTRR/3-6 kW OKC 300 NTR/SOLAR SET OKC 300 NTRR/SOLAR SET OKC 300 NTR/1 MPa OKC 300 NTRR/1 MPa	OKC 400 NTR/1 MPa OKC 400 NTRR/1 MPa OKC 500 NTR/1 MPa OKC 500 NTRR/1 MPa	OKC 750 NTR/1 MPa OKC 750 NTRR/1 MPa OKC 1000 NTR/1 MPa OKC 1000 NTRR/1 MPa	OKCE 800 S / 1 MPa OKCE 1500 S / 1 MPa OKCE 2000 S / 1 MPa OKC 800 NTR/1 MPa OKC 1500 NTR/1 MPa OKC 2000 NTR/1 MPa OKC 800 NTRR/1 MPa OKC 1500 NTRR/1 MPa OKC 2000 NTRR/1 MPa
TJ 6/4" - 2	YES	YES	YES	YES	YES	YES ¹
TJ 6/4" - 2,5	YES	YES	YES	YES	YES	YES ¹
TJ 6/4" - 3,3	YES	YES	YES	YES	YES	YES ¹
TJ 6/4" - 3,75	YES	YES	YES	YES	YES	YES ¹
TJ 6/4" - 4,5	YES	YES	YES	YES	YES	YES ¹
TJ 6/4" - 6	YES	YES	YES	YES	YES	YES ¹
TJ 6/4" - 7,5	NO	NO	YES	YES	YES	YES ¹
TJ 6/4" - 9	NO	NO	YES	YES	YES	YES ¹

YES¹ Reduction G 2" - G1½" needed