

PELLET STOVE

PIRO



UK Installation, use and maintenance

TABLE OF CONTENTS

Safety Information	4
General information	5
Installation	7
Instructions for use	13
Maintenance	18
Possible troubleshooting	20

The undersigned with head office headquarters at Via Vincenzo Monti 47 - 20123 Milan - Italy - VAT IT00192220192

Declares under its own responsibility as follows:
The pellet stove illustrated below conforms to Regulation EU 305/2011 and to the harmonised European Standard EN 14785:2006

WOOD PELLET STOVES, trademark ITALIANA CAMINI,
called PIRO

Year of manufacture: Ref. Data nameplate
Declaration of performance (DoP - EK 131):
Ref. data tag plate

In addition, it is hereby declared that:
the wood pellet stove PIRO is in compliance with the requirements of the European directives:
2014/35/EC - Low voltage directive
2014/30/EC - Electromagnetic compatibility directive

Dear Sir/Madam

Congratulations on choosing our product. Before you use it, please read this manual carefully, to get the best from your new appliance in total safety.

This manual is an integral part of the product. Please keep it for the entire life of the product.

After unpacking the product, check the condition and completeness of the contents.

In the event of error, immediately contact the retailer where the purchase was made, providing him with a copy of the warranty booklet and the sales receipt.

The appliance must be installed and operated in compliance with local and national law and European regulations.

For the installation, and for anything not specifically indicated in the manual, observe local regulations.

The diagrams in this manual are illustrative; they do not always refer specifically to your product and are not binding in any way.

Please keep:

- the warranty certificate accompanying the product
- the purchase receipt given to you by the retailer
- the declaration of conformity given to you by the installer.

The warranty conditions are given in the warranty certificate accompanying the product.

In Italy, commissioning by an authorised technician is required by UNI 10683, and is recommended in all countries to ensure best results from the product.

This consists in:

- checking the installation documents (declaration of conformity) and the quality of the installation itself;
- calibrating the product to suit its actual application
- explanation to the end user and issue of complementary documentation (commissioning certificate)

Having the appliance commissioned properly ensures that it will operate to best effect and in complete safety.

Proper commissioning is required for activation of the Italiana Camini warranty.

The warranty is only valid in the country of sale of the product.

If the appliance is not commissioned by an authorised technician, Italiana Camini will not provide warranty service. See the warranty booklet for details.

The above terms do not affect the reseller's legal responsibility for the legal warranty.

The legal warranty covers only demonstrable manufacturing defects and not, for instance, problems resulting from improper installation or calibration.

MEANING OF SYMBOLS

In some parts of the manual the following symbols are used:



PLEASE NOTE:

carefully read and understand the message in question, since failure to follow the instructions in it could cause serious damage to the product and put the safety of those using it at risk.



INFORMATION:

failure to comply with these requirements will compromise product use.



OPERATING SEQUENCE:

follow the instructions for the operations described

- The appliance is not designed for use by people, including children, with limited physical, sensory and mental capacities.
- The appliance is not intended to be used for cooking.
- The appliance is designed to burn UNI EN ISO 17225-2 category A1 wood pellets, in the amounts and manner described in this manual.
- The appliance is designed for use indoors, in normal conditions of ambient humidity.
- Keep the product in a dry place out of the weather.
- For the legal and company warranties, refer to the warranty certificate inside the product: neither Italiana Camini nor the reseller are liable for damage resulting from incorrect installation or maintenance.

Safety risks may be caused by:

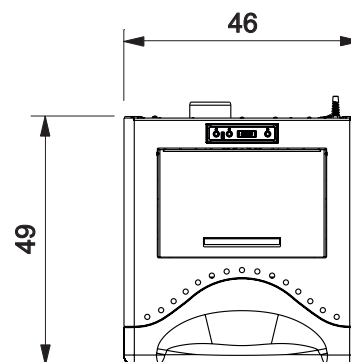
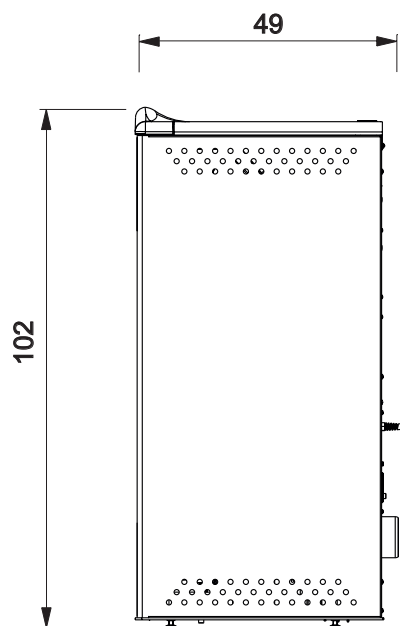
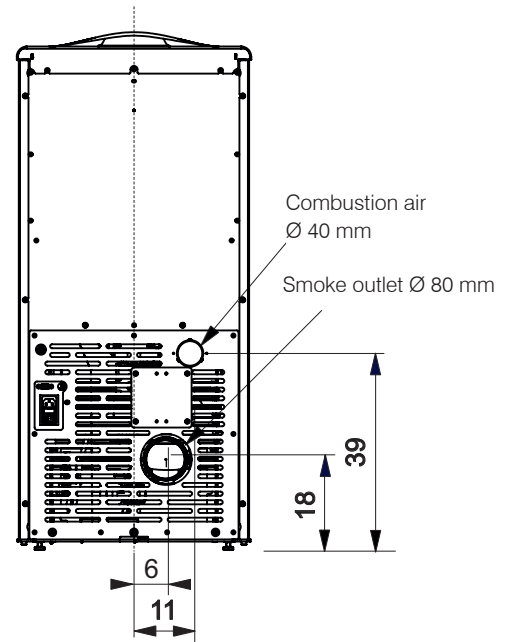
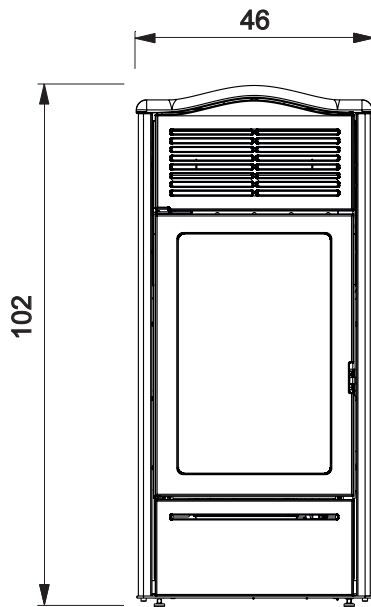
- installation in unsuitable conditions. In particular, conditions of fire hazard. **DO NOT INSTALL THE PRODUCT IN AREAS SUBJECT TO THE RISK OF FIRE.**
- contact with fire and hot parts (e.g. glass panel and pipes). **DO NOT TOUCH THE STOVE'S HOT PARTS;** always wear the provided gloves when working with the stove, even if switched off, when it is still hot. Failure to do so can result in burns.
- contact with live electrical equipment (internal). **DO NOT ACCESS THE INTERNAL ELECTRICAL EQUIPMENT WHILE THE APPLIANCE IS POWERED ON.** Electrocution hazard.
- use of improper ignition aids (e.g. alcohol). **DO NOT IGNITE OR BOOST THE FLAME WITH FLUID SPRAYS OR A FLAME TORCH.** Serious risk of burns, damage and injury.
- use of fuel other than wood pellets. **DO NOT BURN WASTE MATTER, PLASTIC OR OTHER MATERIALS THAN WOOD PELLETS IN THE HEARTH.** The product may be soiled, the flue may catch fire, and environmental damage may ensue.
- cleaning the hearth when hot. **DO NOT CLEAN THE HEARTH WITH A VACUUM CLEANER WHILE IT IS HOT.** Risk of damage to the cleaner and smoke in the room.
- cleaning the fumes duct with cleaning products. **DO NOT CLEAN THE PRODUCT WITH FLAMMABLE PRODUCTS.** Risk of fire and blowback.

- cleaning the hot glass pane with unsuitable cleaning products. **DO NOT CLEAN THE GLASS WHILE IT IS HOT WITH WATER OR ANY OTHER PRODUCT THAN THE RECOMMENDED GLASS CLEANING PRODUCTS.** Risk of cracking and irreparable damage to the glass.
- storing flammable materials within the safety clearance indicated in this manual. **DO NOT PLACE LAUNDRY ON THE PRODUCT. DO NOT PLACE DRYING RACKS WITHIN THE SAFETY CLEARANCE.** Keep flammable fluids away from the product. Fire hazard.
- blocking the aeration vents and air intakes in the room. **DO NOT BLOCK THE AERATION VENTS OR FLUE.** Risk of smoke returning into the room with consequent damage and injury.
- use of the product as a support or ladder. **DO NOT CLIMB ONTO THE PRODUCT OR USE IT AS A SUPPORT.** Risk of damage and injury.
- use of the stove with the hearth open. **DO NOT USE THE PRODUCT WITH ITS DOOR OPEN.**
- incandescent material projected from the open door. **DO NOT** throw incandescent material outside the appliance. Fire hazard.
- use of water in case of fire. **CALL THE AUTHORITIES IF A FIRE BREAKS OUT.**

Please use all normal precautions for a household heating appliance.

If you have doubts, please do not take any action, but contact the retailer or the installer.

DIMENSIONS (cm)



GENERAL INFORMATION



TECHNICAL CHARACTERISTICS according to EN 14785

The given data are indicative and taken during the certification stage at a notified Body under regulation conditions

	Nominal power	Reduced power	
Power output	6,5	2,3	kW
Yield	90,7	93,4	%
Emissions CO 13% O ₂	0,01	0,032	%
Fume temperature	144	82	°C
Fuel consumption	1,5	0,5	kg/h
Hopper capacity	24		kg
Draught	12	10	Pa
Autonomy	14	42	hours
Heatable volume *	170		m ³
Smoke outlet pipe diameter (male)	80		mm
Air intake pipe diameter (male)	40		mm
Weight including packaging	109		kg

TECHNICAL DATA FOR SIZING THE FLUE

which must anyhow meet the indications of this sheet and the installation Standards

	Nominal power	Reduced power	
Temperature of fumes on exit from the discharge pipe	173	99	°C
Minimum draught	0,01		Pa
Fume flow capacity	4,8	2	g/s

* The heatable room dimensions are calculated on the basis of home insulation in compliance with Italian law 10/91, and subsequent changes together with an expected heat output of 33 Kcal/m³ per hour.

ELECTRICAL CHARACTERISTICS

Power supply	230 Vac +/- 10% 50 Hz
Average power consumption	50 - 80 W
Power consumption during ignition	300 W
Protection on electronic circuit board	T2A, 250 Vac, 5x20 Fuse

Italiana Camini reserves the right to change the products at its discretion without notice.

GENERAL NOTES

All local and National laws and the European Standards must be met in the installation and in the use of the equipment. In Italy it is necessary to refer to Ministerial Decree 37/2008 (formerly Law 46/90) and the UNI 10683 Standards.

In the case of installation in a multiple-tenancy building, contact the building manager before installation.

VERIFY COMPATIBILITY WITH OTHER DEVICES

In Italy the stove MUST NOT be installed in the same space or in communicating environments as type B gas heating equipment (e.g. gas boilers, stoves, and equipment served by an extraction hood - ref. UNI 10683 and 7129).

In general, the stove could create low pressure in the room, affecting the operation of such appliances or being affected by them.

VERIFY THE POWER SUPPLY CONNECTION (the plug must be accessible)

The stove is supplied with a power cable that is to be connected to a 230V 50 Hz socket, preferably fitted with a magnetothermic switch.

Voltage variations exceeding 10% can damage the stove (unless already installed, an appropriate differential switch must be fitted).

The electrical system must comply with the law; particularly verify the efficiency of the earthing system. The power line must have a suitable cross-section for the stove's power. An inadequate earthing system can cause anomalies for which Italiana Camini cannot be held liable.

One fuse (4 A) is inserted in the socket with switch, located on the back of the stove.

AIR INTAKE (mandatory to do)

The room where the stove is located must have an air intake with cross section of at least 80cm² to ensure replenishment of the air consumed by combustion.

Alternatively, the stove air may be taken directly from outside through a 4 cm steel extension of the pipe.

POSITIONING AND DISTANCES FOR FIRE SAFETY

The stove must be installed in compliance with the following safety conditions:

- minimum distance from flammable materials around the sides and back of the stove: 10 cm
- flammable materials must not be placed less than 80 cm from the front of the stove.

If it is not possible to comply with the above-mentioned distances, technical and construction-related provisions must be taken to prevent fire hazards.

If connected to wooden walls or other flammable materials, the smoke exhaust pipe must be insulated.

SMOKE OUTLET

The stove must have its own smoke outlet (the smoke cannot be discharged into a smoke flue used by other devices).

The smoke is discharged through the 8 cm diameter outlet at the back of the stove.

The smoke outlet must be connected to outside by means of suitable steel pipes EN 1856 certified.

The pipe must be hermetically sealed.

The only horizontal section allowed may be up to 2 m long up to three 90° bends (in relation to the vertical).

A vertical section of at least 1.5 m and an anti-wind terminal is necessary (if the discharge outlet is not in a chimney flue - reference UNI 10683).

The vertical duct can be internal or external.

If the smoke channel is outside, it must be appropriately insulated.

If the smoke channel is fitted inside a chimney flue, the latter must be suitable for solid fuel.

If it is wider than 150 mm in diameter it must be improved by entering a pipe that has a suitable cross-section and is made of suitable material (e.g. 80 mm diameter steel).

All sections of the smoke duct must be accessible for inspection.

The chimney pots and smoke ducts connected to the solid fuel appliances must be cleaned once a year (verify whether a specific legislation exists in your country).

Failure to regularly inspect and clean the stove increases the probability of a fire occurring in the chimney pot. In that case, proceed as follows:

Do not use water to extinguish the fire; Empty the pellet hopper; Contact specialist personnel before reigniting

the stove.

The stove is designed to work under any weather conditions. In case of particular conditions, such as strong wind, the safety system may be activated, which results in the stove being extinguished.

If this happens, do not operate the stove with the safety devices disabled.

If the problem persists, contact our Technical Service Department.

CHIMNEY POT

The main characteristics are:

- an internal cross-section at the base, which is the same as that of the chimney flue
- an outlet cross-section which is no smaller than twice that of the chimney flue
- its position must be high enough to catch the wind and avoid downdraft areas in turbulent wind, it must be high enough to catch the wind and avoid downdraft areas in turbulent wind.

TYPICAL EXAMPLES

FIG. 1

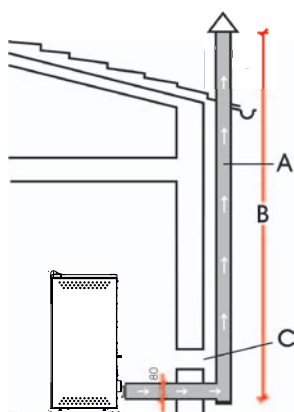
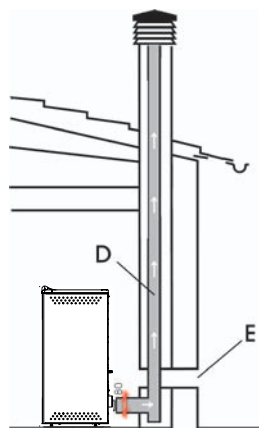


FIG. 2



- A:** flue in insulated steel compliant with EN 1856
- B:** minimum height of 1.5 m and in any case above the height of the roof gutter
- C-E:** air intake from inside room (minimum internal section: 80 cm²)
- D:** steel flue, inside existing brick-built chimney.

PREPARATION AND UNPACKING

The materials used in the packaging are not toxic or harmful, therefore no special procedures are required for their disposal.

Storage and disposal or recycling are the responsibility of the end user in accordance with applicable laws



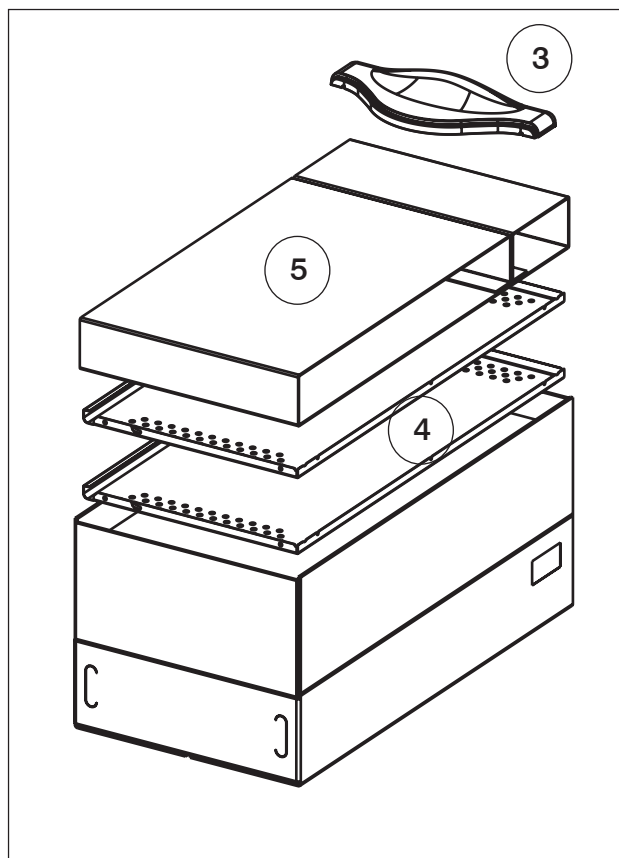
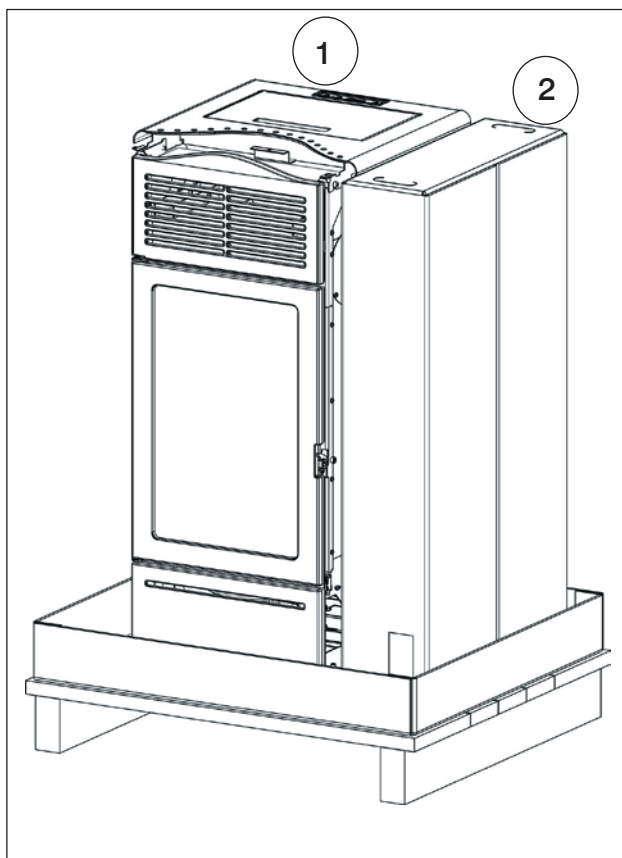
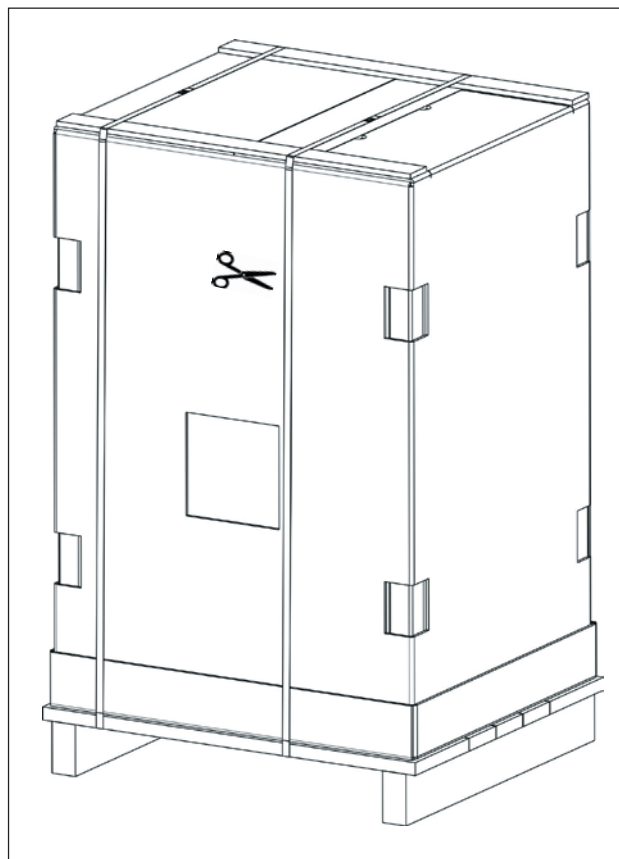
It is recommended that all vertical movements are carried out by suitable means and with adequate regard for applicable safety standards.

Do not overturn the packaging and handle all assembly parts with caution

PACKAGING

The package contains two pieces :

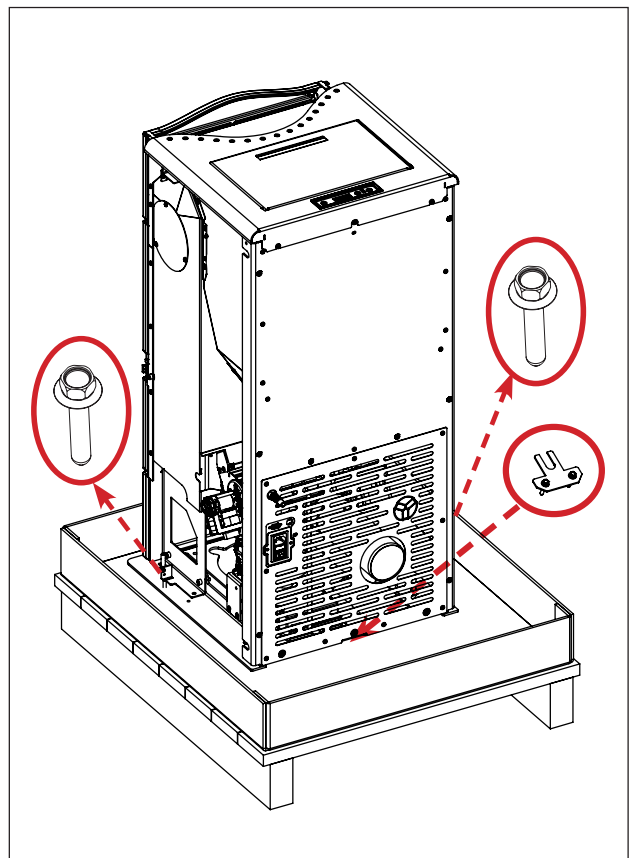
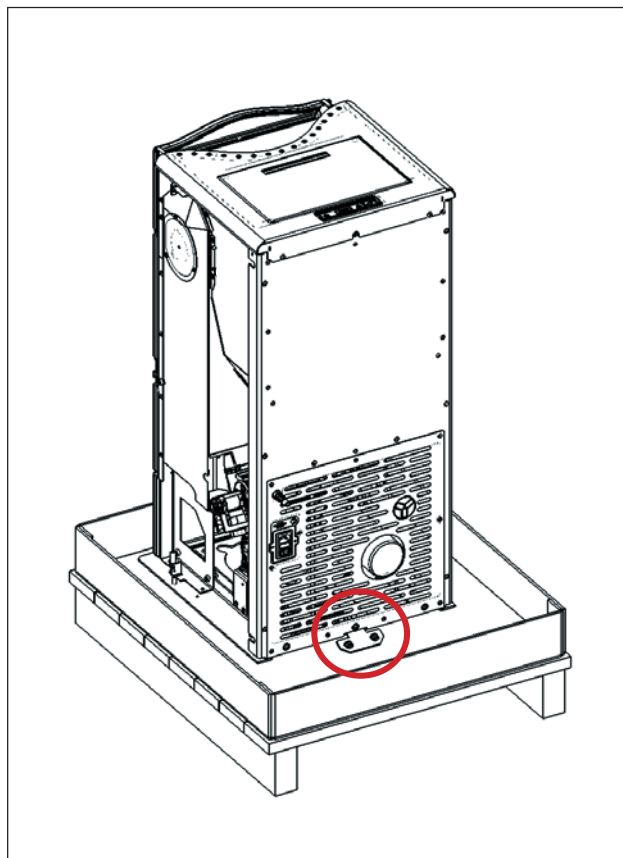
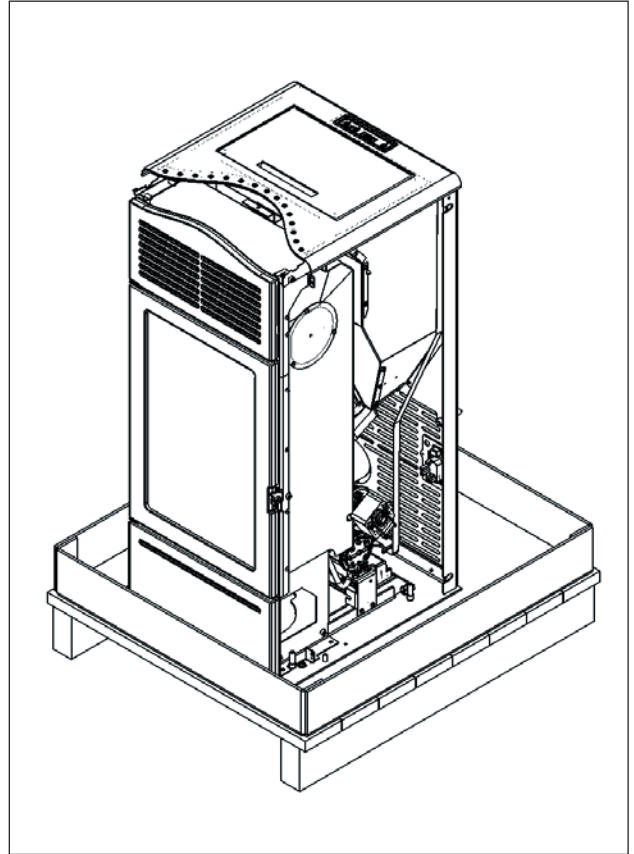
- one (1) the structure of the stove without sides
- one (2) with the top (3) and the sides (4) separate by protection (5) and a bag with grommets to the top

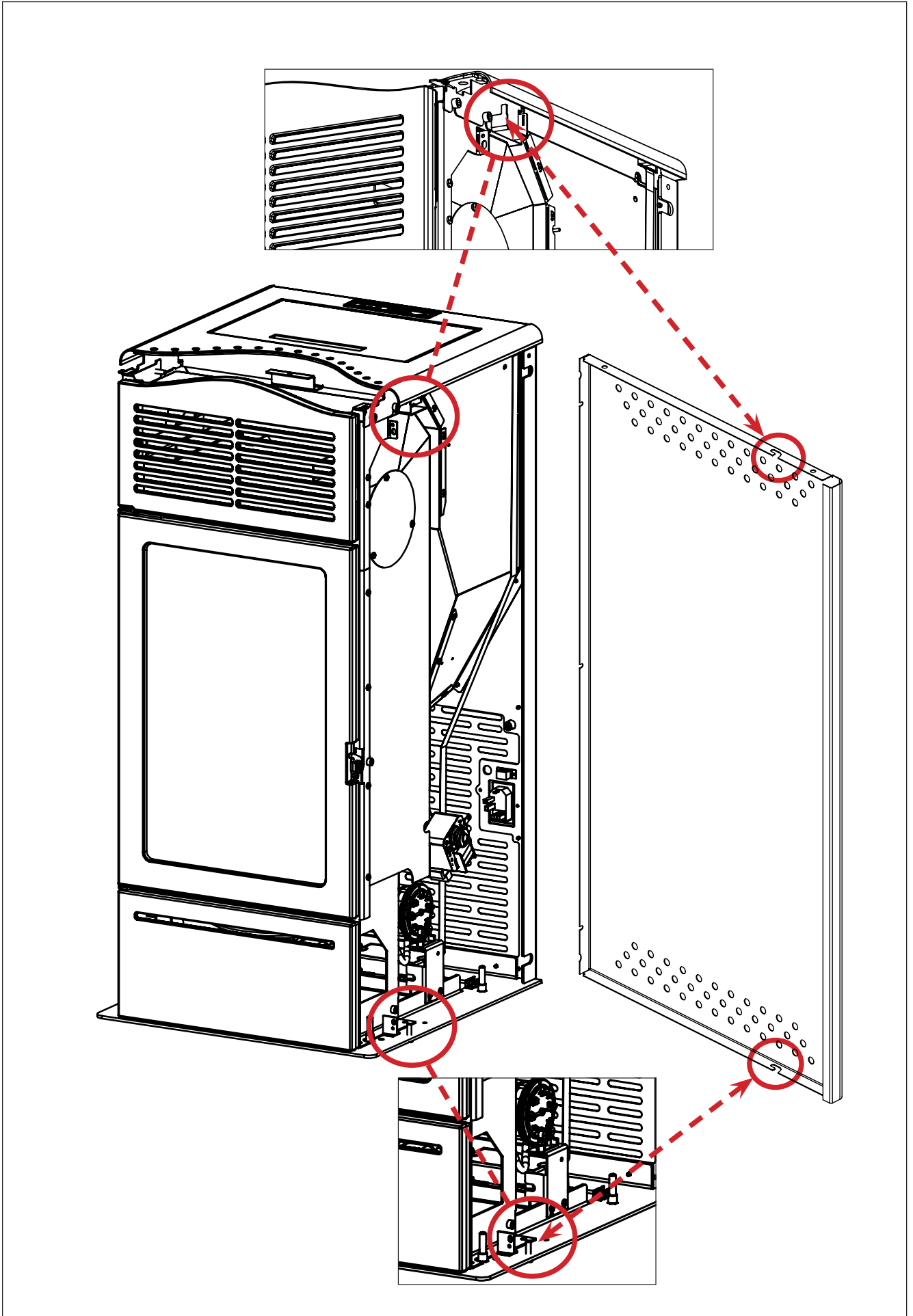


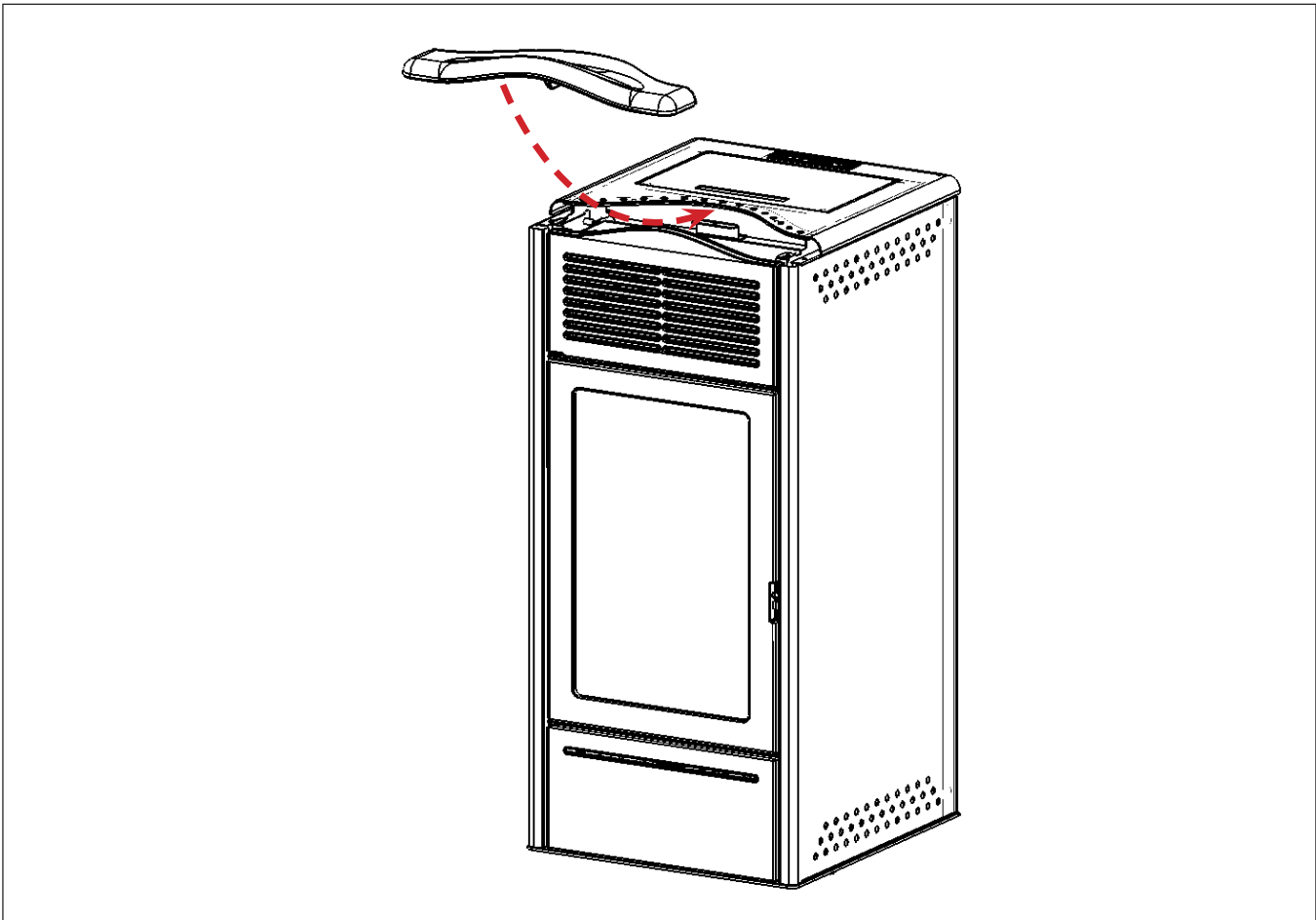
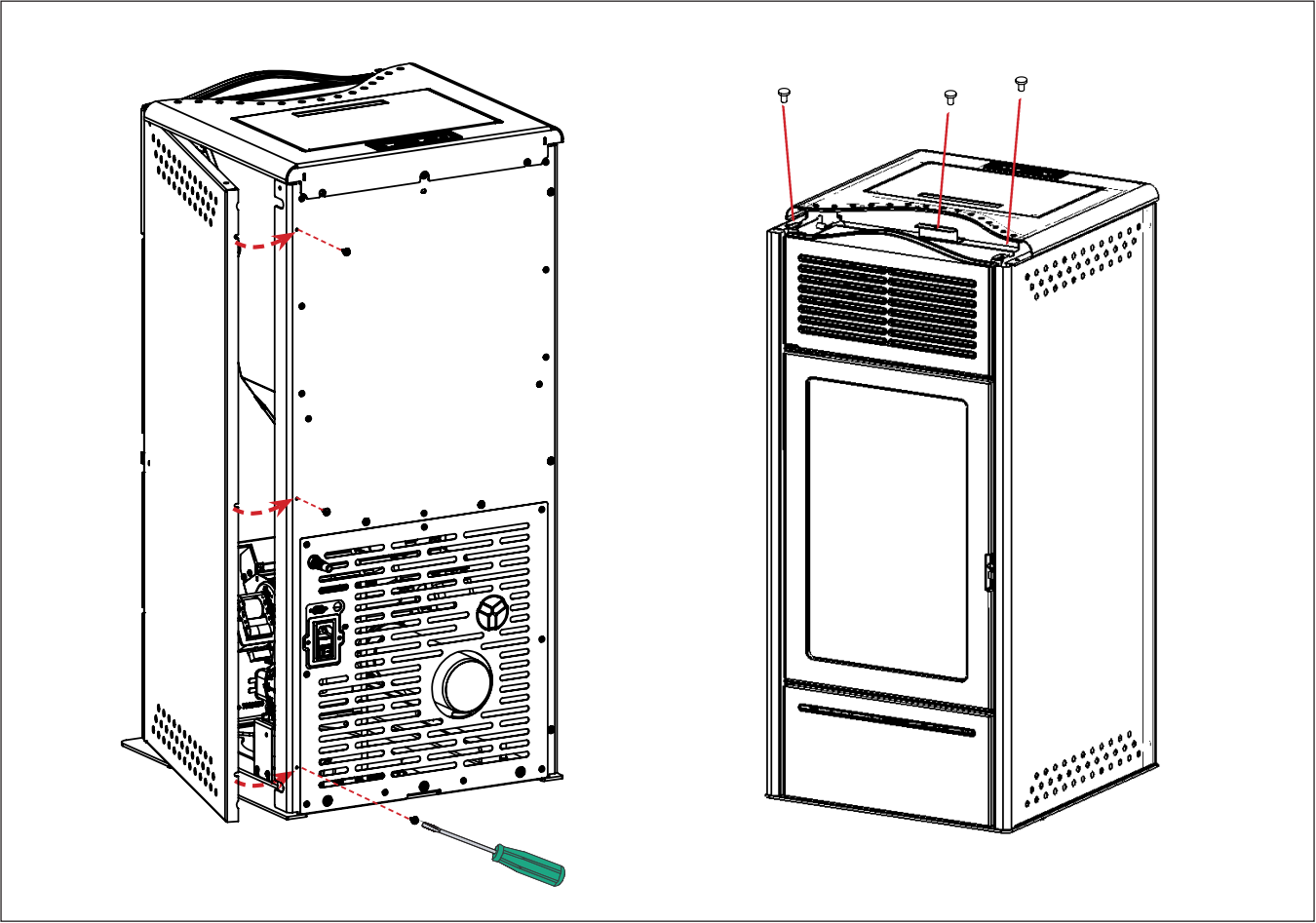
FITTING JACKET

Proceed as follows (see figures) :

- Remove the stove from the pallet , removing the bracket and screws on both side of the stove
- Install the sides and screwing the screws on the back
- Position the top







Stove are calibrated in the company in accordance with the common conditions of installation.

Service Center, during the first lighting, check the actual conditions, and adjust technical parameters (in particular “chimney”) as needed.

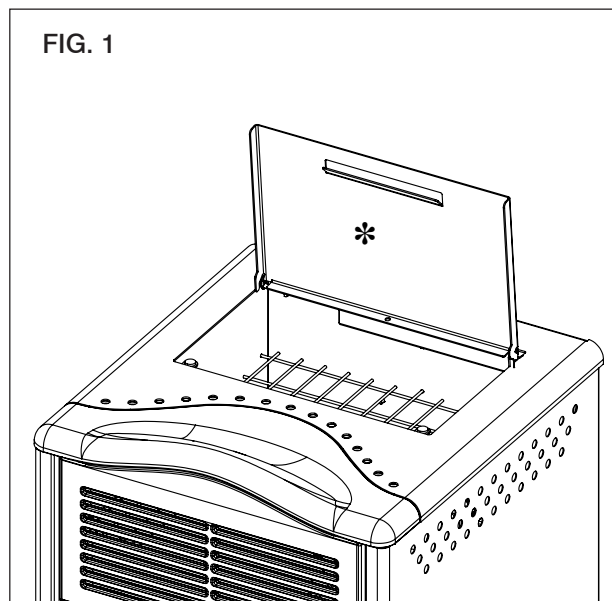
The values of efficiency and emissions will naturally change depending on the conditions of installation, maintenance, and regulation of the pellets used Service Center .

This standard indicates the control operations to be carried out, aimed at ascertaining correct system function.

There may be a slight smell of paint the first few times it is ignited, however, this will disappear quickly.

Before igniting you must check:

- that installation is correct
- the power supply
- that the door closes properly to a perfect seal
- that the combustion chamber is clean
- The display of the remote control displays standby status (date, power or flashing temperature).



FILLING THE PELLET HOPPER

To access the hopper, lift the lid* (fig. 1).

N.B.:

1) During this operation, the bag of pellets MUST NEVER be placed on the upper grill, otherwise the plastic bag, coming into contact with the heat, could ruin the paintwork on the top.

2) Use the special glove provided if you load the stove while it is functioning and therefore hot.

NOTE regarding the fuel.

PIRO is designed and programmed to burn wood pellets with 6 mm diameter.

Pellets are a type of fuel in the form of little cylinders, made from compacted sawdust, compressed under high pressure with no adhesives or foreign materials. They are sold in bags of 15 kg.

For the stove to function properly, you MUST NOT burn anything else in it. Using other materials (including wood) will render the warranty null and void. Such use is detected by laboratory analyses. ITALIANA CAMINI has designed, tested and programmed their stoves to guarantee the best performance when pellets with the following characteristics are used:

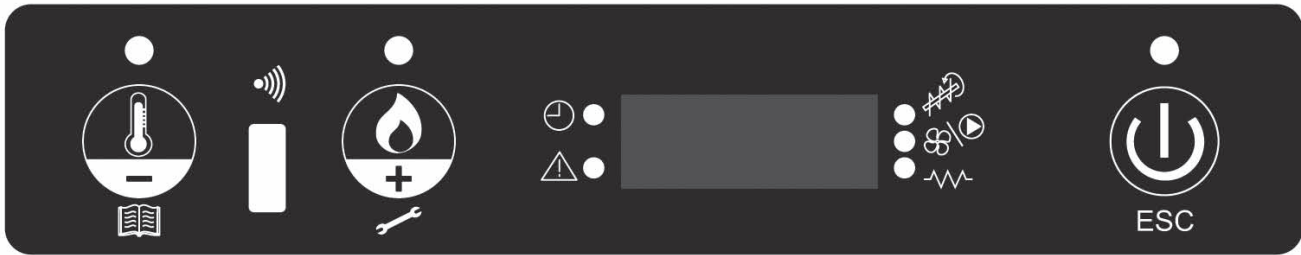
diameter: 6 millimetres
maximum length: 40 mm
maximum moisture content: 8%
calorific value: at least 4100 kcal/kg.

If pellets with different characteristics are used, the stoves must be recalibrated using a similar procedure to that carried out by the DEALER when the stove is ignited the first time.

Using unsuitable pellets may: decrease efficiency; cause malfunctions; stop the stove from functioning due to clogging, dirt on the glass, unburnt fuel, etc.

A simple, visual analysis of the pellets may be carried out: Good quality: smooth, uniform length, not very dusty. Poor quality: with longitudinal and transverse cracks, very dusty, various lengths and mixed with foreign matter.

SYNOPTIC PANEL



key to set the desired environmental temperature or to enter the menu (set ambient temp.)



key for setting the power of the stove (set power)



on/off or confirm/quit menu key



indicates that the chrono-thermostat has been programmed for automatic ignition at set times



indicates an alarm condition



indicates the functioning of the pellet-loading motor



this indicates the functioning of the fan






indicates operation of the resistance which switches on the pellet

DESCRIPTION OF MENUS






To access the menus, press and hold the


key  for 2 seconds (the LED switches off).

Press the key  or the key , to scroll through the following menus:

DISPLAY	DESCRIPTION
M1	Set clock
M2	Set time programme
M3	Adjust vent 1
M4	(does not appear at display in this model)
M5	Language
M6	Stand-by
M7	Screw loading
M8	Stove status
M9	Technical calibrations (TAC)
MA	Type of pellets (TAC)
Mb	Quit

- To confirm the desired menu, press the key .
- To return to the previous menu, press the key  for 3 seconds.
- To quit the menu, press the key  for 6 seconds.

SWITCHING ON/OFF

To switch the stove on/off, press the key  for 3 seconds.


- LED on** stove operating
- LED flashing** stove being switched off or in alarm state
- LED off** stove off


OPERATING

The stove has two operating modes:

- MANUAL


In MANUAL operating mode, the water temperature at which the stove must operate is set independently from the temperature of the room in which it is installed.



To select MANUAL mode, press the  key (the LED will light up).

Pressing the  key will increase the temperature until the message 'MAN' appears on the display (above 40°).

- AUTOMATIC

In AUTOMATIC mode, it is possible to set the desired temperature of the room where the stove is installed. When the desired environmental temperature (SET ROOM TEMPERATURE) is reached, the stove will automatically switch to power 1 mode.

To set the desired room temperature, press  (the LED turns on) and the current operating temperature will be displayed,

By means of the  key or the  key, it is possible to vary the temperature to the desired level.

Ventilation is always correlated to the power in use, so it cannot be varied.

NOTE:


In automatic mode, you can limit the maximum power setting the value , as in manual mode .

Example: if imposed power P3 , and then subsequently imposed on the stove in automatic mode, the same will modulate P1 to P3 .


VENTILATION ADJUSTMENT

This function allows you to manage the ventilation speed.

It can be set to AUTO mode, which automatically adjusts the ventilation speed according to the power of the stove, or you can set the ventilation speed according to the amount of hot air or to the desired noise level of the product.

To activate the function, press the  key for 2

seconds and press the  key until the display shows the message "M3 Adjust vent 1".



Press the  key and set the desired ventilation



speed using the keys  and .

To confirm your choice, press the  key.

SCREW LOADING (only if the stove is completely without pellets)

To load the screw, enter the MENU by pressing the

key  for 2 seconds; then press the key  until the message "M7 first load" appears on the display.

Press the key  to confirm, and then the key  to activate the function.

This operation must only be carried out when the stove is off and completely cold.

Note: during this phase, the smoke extractor fan will remain on.


STAND-BY FUNCTION


In this mode, the stove will go off when the temperature of the environment is 0.5°C higher than that requested, after a set time of 10 minutes (which can be changed by the TAC during installation).


The message "GO STBY" will appear on the display, indicating the minutes remaining before switch-off.

This function is available in both 'AUTOMATIC' or 'MANUAL' mode and in the case of an external thermostat.

If the environmental temperature falls to 2°C below the set threshold, the stove will start up again (setting modifiable by the TAC during installation).

To activate the function, press the key  for about 3 seconds; the message "**M1 set clock**" will appear

on the display; press the key  until the message "**M6 stand by**" appears on the display, then con-


firm by pressing the key .

Press the key  to select "ON", then confirm by

pressing the key .

To quit the menu "**M6 stand by**", press the key  for about 6 seconds.

SETTING THE DATE AND TIME

Press the key  for about 2 second; the message "**M1 set clock**" will appear on the display; then

confirm by pressing the key .

The following data will appear in sequence: Day of the week, hour, minutes, day, month, year; these can

be changed by pressing the key  or the key .

To confirm, press the key .

To quit the menu "**M1 set clock**", press the key

 for about 6 seconds.


EXTERNAL THERMOSTAT

This must be connected by the blue wire (optional code 640560) to the serial port positioned on the back of the stove; it must have a clean, normally open contact (e.g. in the case of an environmental thermostat):

- **Open contact** = Environmental temperature reached
- **Closed contact** = Environmental temperature not reached

To select '**E-T** (external thermostat) mode,

press the key  (the LED will light up).

Pressing the key  will lower the temperature until the message 'E-T' (external thermostat) appears on the display (below 6°).


Note: When the stove is off, the external thermostat cannot switch the stove on or off.


If you want to switch the stove on or off outside the set time or outside the '**E-T** (external thermostat) setting, you must always do so using the key



CHRONO-THERMOSTAT FOR DAILY/WEEKLY PROGRAMMING

There are 3 types of programming (daily, weekly, weekend), each of which is independent of the others and thus many combinations are possible according to the user's requirements (time programming is in 10 minute steps).

Press the key  for 2 seconds; the message "**M1 set clock**" will appear on the display (and the LED will go out).

Press the key  until the message "**M2 set chrono**" appears on the display; confirm by press-

ing the key .

To visualise the 3 programming modes (daily, weekly,

weekend) press the key  or the key , and confirm

by pressing the key .

Scroll down the following menu (default setting is OFF):


- **M2-1**: enables the chrono-thermostat
- **M2-2**: daily programme
- **M2-3**: weekly programme
- **M2-4**: weekend programme
- **M2-5**: Quit

Choose the desired menu and confirm by pressing

the key .

To set the stove to switch on and off and for time

changes press the key  or the key , then con

firm by pressing the key .

To quit the programme press the key  for about 6 seconds.

Daily programming:

possibility of switching the stove on and off twice throughout the day, repeated every day:

Weekly programming:

possibility of switching the stove on and off 4 times during the day, and to choose the days of the week.

For example:

start1 06:00 stop1 08:00		start2 07:00 stop2 10:00		start3 14:00 stop3 17:00		start4 19:00 stop4 22:00	
Monday	on	Monday	off	Monday	on	Monday	on
Tuesday	on	Tuesday	off	Tuesday	on	Tuesday	on
Wednesday	off	Wednesday	on	Wednesday	off	Wednesday	on
Thursday	on	Thursday	off	Thursday	off	Thursday	on
Friday	on	Friday	off	Friday	off	Friday	on
Saturday	off	Saturday	off	Saturday	on	Saturday	on
Sunday	off	Sunday	off	Sunday	on	Sunday	on

Weekend programming:

possibility of switching the stove on and off twice during the weekend:

Example:

start1 week-end 07:00

stop1 week-end 11:30

Example:

start2 week-end 14:20

stop2 week-end 23:50

Before performing any maintenance, disconnect the appliance from the mains.

Regular maintenance is required for the stove to function correctly.

Any problems resulting from lack of maintenance will immediately void the warranty.

N.B.

- Any unauthorised modification is forbidden
- Use spare parts recommended by the manufacturer
- The use of counterfeit parts results in the guarantee becoming null and void

DAILY MAINTENANCE

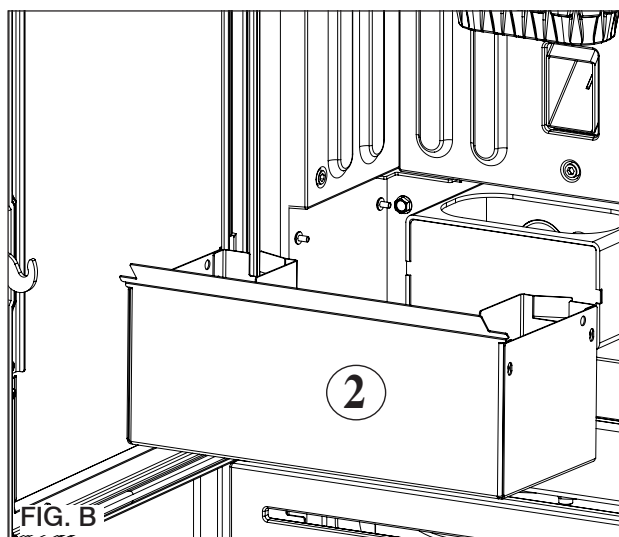
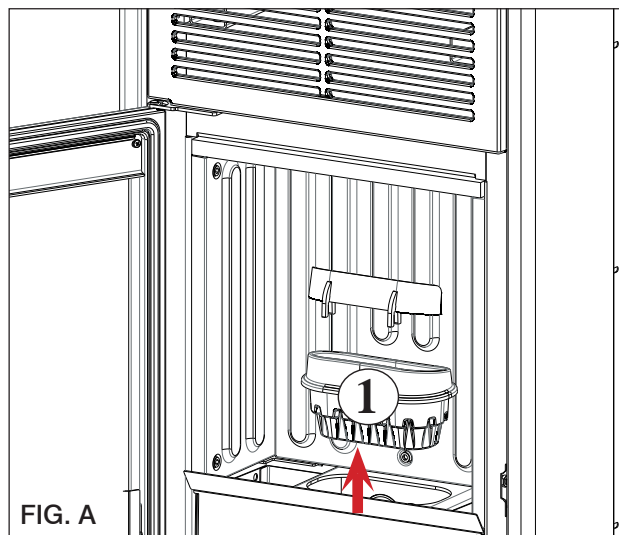
Operations must be performed when the stove is off, cold and unplugged from the power supply

- Cleaning must be carried out with a vacuum cleaner.
- Open the door, extract the fire box (1 - fig. A).
- **DO NOT EMPTY THE RESIDUE OUT INTO THE PELLET HOPPER.**
- Pull the ash drawer out and empty it into a non-flammable container (the ash may still have some parts that are hot and/or embers).
- Vacuum out the inside of the fire box, fire grate, and space around the fire box, into which the ash falls.
- Remove any crust from the crucible with the spatula provided to clear any blocked holes.
- Clean the glass, if necessary (when cold).

Never vacuum hot ash, it can make the vacuum cleaner breakdown and represents a fire risk.



**ATTENTION:
MAKE SURE THE ASH TRAY IS CORRECTLY POSITIONED IN ITS HOUSING**



WEEKLY MAINTENANCE

- Remove the ceiling (3 - fig. C) and tip the residue into the ash drawer.

The ceiling is a component subject to wear, Italiana Camini does not accept responsibility for it, more so if any breaks are due to extracting or putting it back in its seating.



ATTENTION !!!

After normal cleaning, INCORRECT alignment of the crucible (A - fig. D) may compromise operation of the stove.

Before igniting the stove, make sure the combustion chambers are correctly paired as indicated in (fig. E) without ash or unburnt material present on the support perimeter.

We remind you that using the stove without cleaning the melting pot, may cause a sudden ignition gas inside the combustion chamber with the consequent breaking of the glass

SEASONAL MAINTENANCE

(implemented by the DEALER)

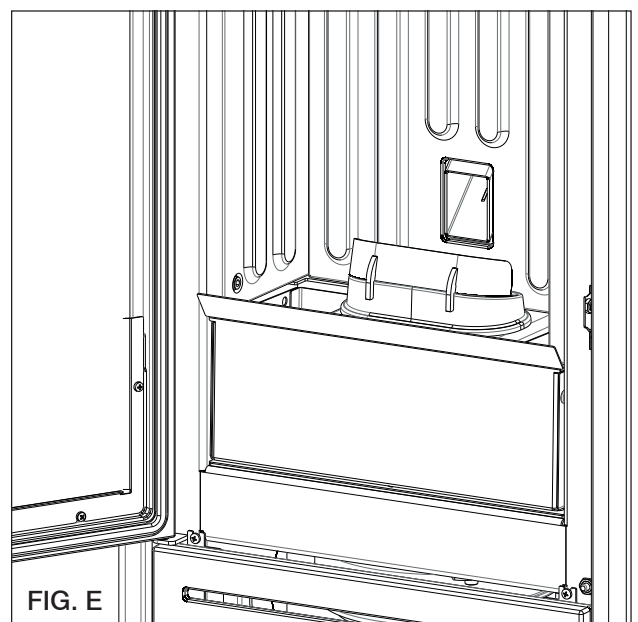
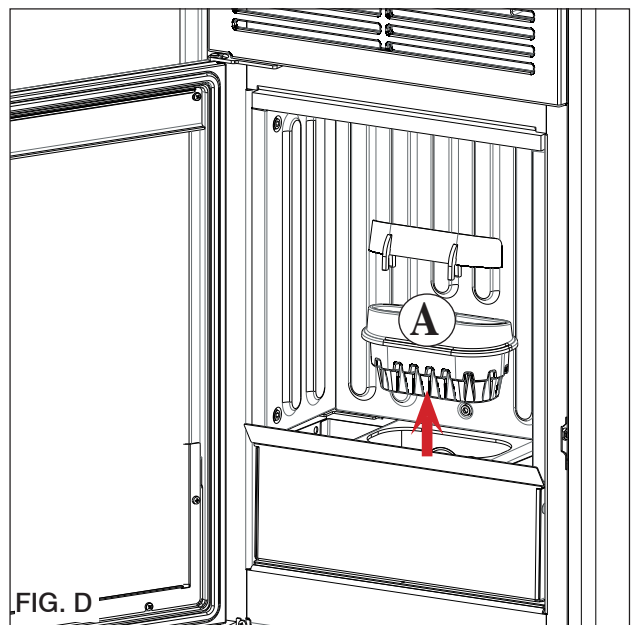
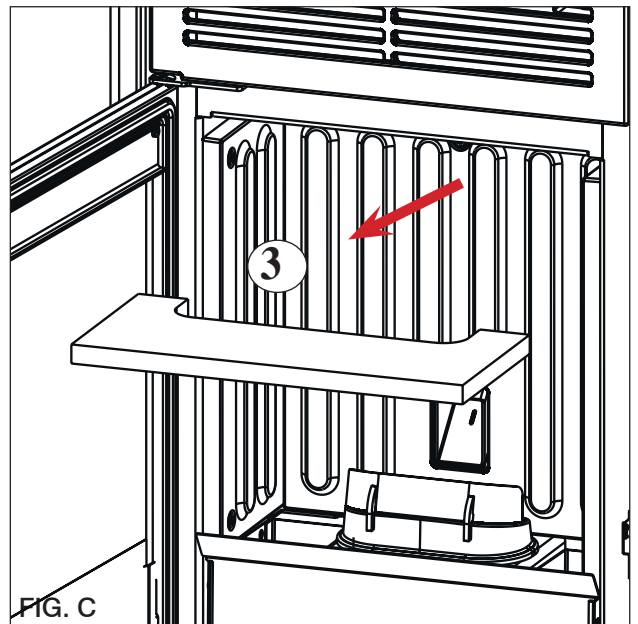
Clean the stove internally and externally

In the event of very frequent use of the oven, it is advised cleaning of the smoke passage duct and smoke channel every 3 months.

N.B.:

The chimneys and flue to which are connected to the solid fuels user equipment must be cleaned once a year (check if your country has specific legislation covering this).

Failure to regularly check and clean increases the likelihood of a fire in the chimney pot.



In the case of problems, the stove will switch off automatically, and an indication of the cause will appear on the display (see the various messages below).

In the case of automatic switch-off, the stove must be allowed to complete the entire procedure (15 minutes with an acoustic signal), after which it can be restarted by pressing

the key  .

However, do not restart the stove until you have found out the cause of the error and until you have **CLEANED/EMPTIED** the crucible.

The stove is equipped with a safety valve, but if the routine clearing of the crucible is not carried out as illustrated previously, there are conditions that switching on may occur with a slight burst.

In the event of heavy and prolonged formation of white smoke within the combustion chamber, disconnect the electrical supply and wait 30 minutes before opening the small door and empty the crucible.

SIGNALS OF POSSIBLE CAUSES OF AN ERROR, TIPS AND SOLUTIONS:

SEGNALAZIONE	INCOVENIENTE	AZIONI
AL1 black out (this is not a stove error)	(this takes place if there is no electricity for more than 5 seconds)	The stove has a 'black out' function. If the electricity supply is off for less than 5 seconds, the stove will switch on again, returning to the function in progress before it switched off. If the electricity supply is off for more than 5 seconds, the stove will go into 'black out' alarm, with consequent cooling phase.

The possible causes are listed below:

Stove status before black-out	Interruption of less than 10 seconds	Interruption of more than 10 seconds
OFF	OFF	OFF
PRE-LOAD	BLACK OUT	BLACK OUT
IGNITION	BLACK OUT	BLACK OUT
START-UP	START-UP	STAND-BY THEN RE-IGNITION
OPERATING	OPERATING	STAND-BY THEN RE-IGNITION
FINAL CLEANING	FINAL CLEANING	FINAL CLEANING
STAND-BY	STAND-BY	STAND-BY
ALARM	ALARM	ALARM
ALARM RECORD	ALARM RECORD	ALARM RECORD

SEGNALAZIONE	INCOVENIENTE	AZIONI
AL2 broken smoke temp. probe	when the stove can no longer read the smoke temperature	<ul style="list-style-type: none"> • Broken thermocouple • Detached thermocouple • Smoke temperature out of range
AL3 hot smoke	when the temperature of the smoke exceeds the safety threshold	<ul style="list-style-type: none"> • Blocked chimney • Incorrect installation • Stove clogged • Too many pellets loaded, check pellet feed regulation (TAC) <p>NOTE: the “hot smoke” message appears when the first alarm threshold of 250° is exceeded, triggering automatic stove regulation; only when the temperature of 270° is reached does the stove go into alarm mode and switches itself off.</p>
AL4 fan fault	when the motor of the smoke extractor fan breaks down	<ul style="list-style-type: none"> • Smoke extraction motor blocked • Revolution counter breakdown • Smoke motor breakdown • Smoke motor thermostat triggered
AL5 ignition failure	when the smoke temperature does not reach the minimum threshold during the ignition phase	<ul style="list-style-type: none"> • Probable spark plug failure • Dirty crucible or too many pellets • The pellets are finished • Check the pellet safety thermostat (automatic reset) • Blocked chimney
AL6 no pellets	when the pellets are finished	<ul style="list-style-type: none"> • There are no more pellets in the hopper • A gear motor failure • The screw/pellet duct is blocked • Too few pellets loaded, check pellet feed regulation
AL7 thermal safety	when the safety thermostat, situated in contact with the hopper, is triggered by the overheating of the pellet hopper	<ul style="list-style-type: none"> • Pellet overloading
AL8 no depression	when there is insufficient draught in the cold air aspiration pipe	<ul style="list-style-type: none"> • Flue blocked • Blocked cold air pipe • Pressure switch failure • Silicone tube broken or clogged • Door not properly closed

