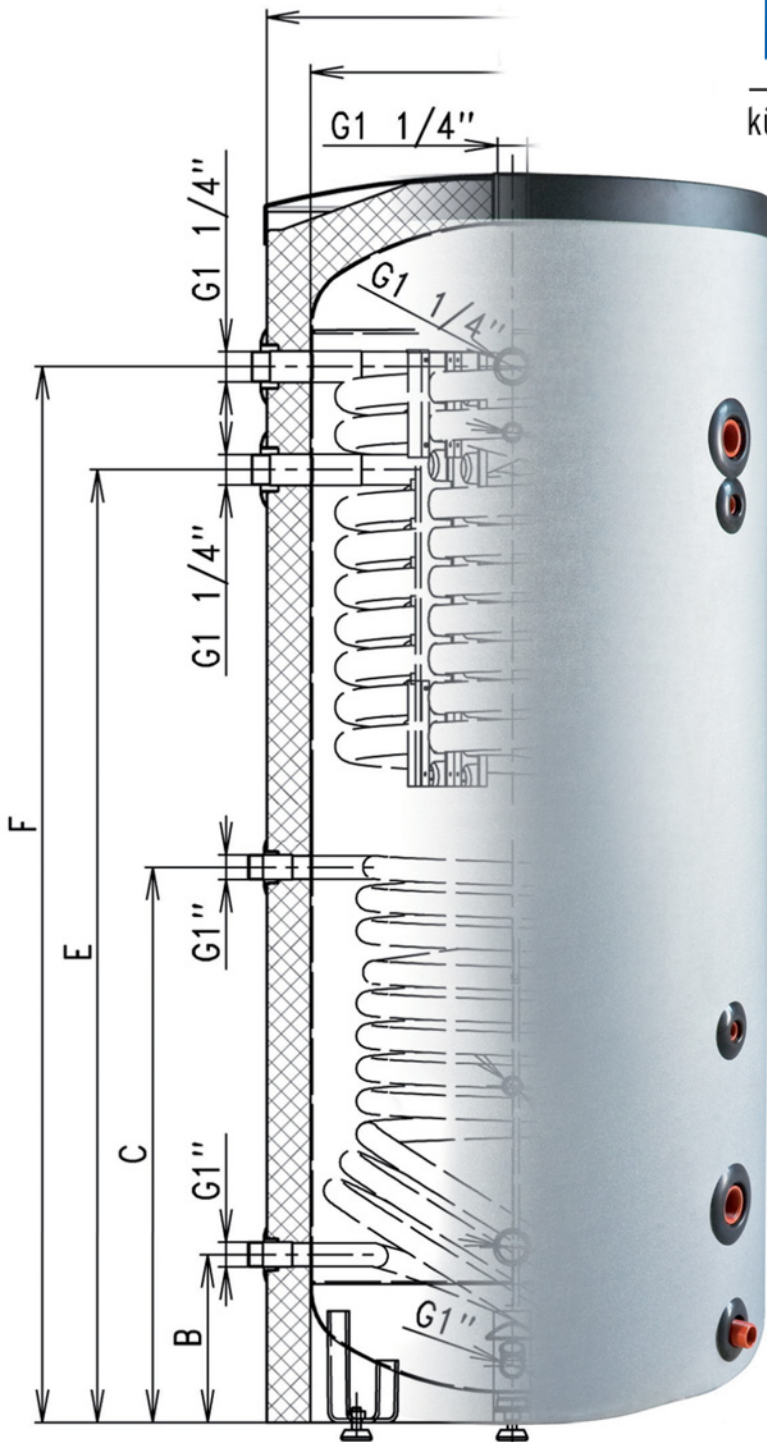




Cerbo














küttesüsteemid • müük • paigaldus • hooldus



Contents

■ Storage tank NAD v1	1
■ Storage tank NAD v2	3
■ Storage tank NAD v3	4
■ Storage tank NADS v3	5
■ Storage tank NAD v4	6
■ Storage tank NAD v5	7
■ Storage tank NADO v1	8
■ Storage tank NADOS v1	11
■ Storage tank NADO v2	12
■ Storage tank NADOS v2	14
■ Storage tank NADO v3	15
■ Storage tank NADO v6	17
■ Storage tank NADO v7	19
■ Storage tank NADO v9	21
■ Storage tank NADO v11	22
■ Storage tank UKV NIBE	24
■ Heat insulation of the utmost quality	25
■ Original parts from Dražice	26

Legend to Icons

Inlets		Outlets	
Solid fuel boiler		Floor heating	
Biomass boiler		Radiator	
Fireplace insert		Hot water	
Electric heating – dry ceramic unit TPK 210-12			
Electric heating – wet unit TJ 6/4"			
Heat pump			
Photothermic solar system			
Photovoltaic solar system			

Tolerance of all stated dimensions complies with ČSN ISO
Z/T circuit socket = socket of heating sources and heating circuits

* The value is derived by calculation

Storage tank NAD v1 (types 50, 100, 250)



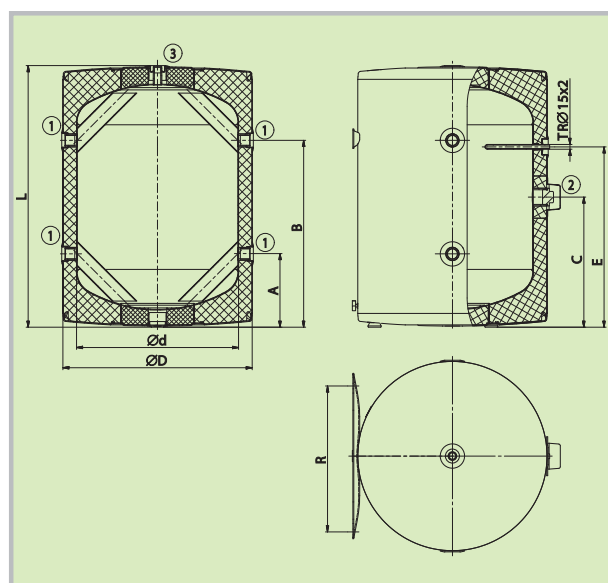
- Types: 50, 100, 250
- The tank is supplied with non-detachable insulation
- Suitable as an equalization tank for heating systems with solid fuel boilers
- The TJ 6/4" heating unit can be mounted into the socket



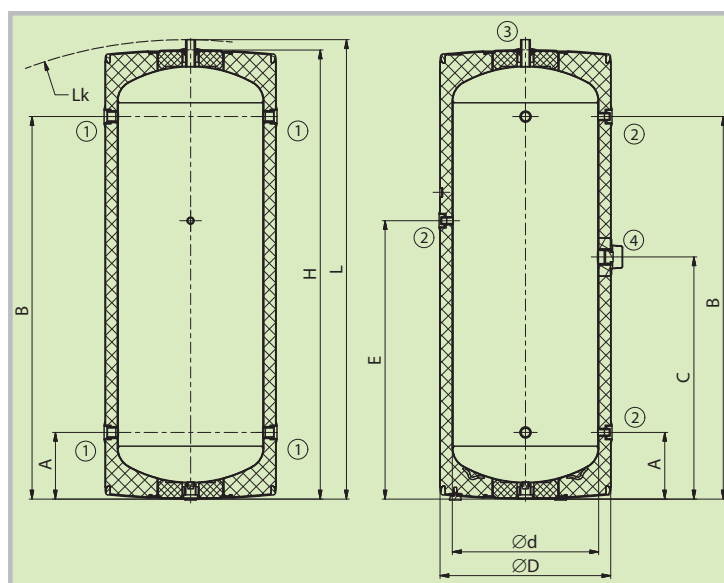
Socket dimensions	NAD 50v1	NAD 100v1	NAD 250v1
Socket 1	1" female thread		1" female thread
Socket 2	1½" female thread		½" female thread
Socket 3	½" female thread		1" male thread
Socket 4	–		1½" female thread

Technical parameters		NAD 50v1	NAD 100v1	NAD 250v1
Order number		110580391	110880302	110980391
Heating water volume in tank	[l]	50	120	265
Weight	[kg]	25	41	63
Max. operating temperature / pressure in tank	[°C] / [bar]		90 / 3	
Insulation thickness (Polyurethane)	[mm]		42	
Heat conductivity of insulation (Polyurethane)	[W·m ⁻¹ ·K ⁻¹]		0,022	
Insulation order number (Polyurethane)			tank component	
Max. number × output of TJ 6/4"	[ks] × [kW]	1 × 3,3		1 × 6
Energy efficiency class (Polyurethane)			B	C
Standing loss (Polyurethane)	[W]	31	41	88

Tank dimensions		NAD 50v1	NAD 100v1	NAD 250v1
Tank diameter with insulation	∅D	524	584	584
Tank diameter	∅d	440	500	500
Total tank height	L	561	807	1570
Tilting height	L _k	–	–	1605
Tank height	H	–	–	1541
Discharging connection	A	215	226	228
Z/T circuit socket	B	345	576	1308
TJ 6/4" heating unit socket	C	265	401	828
Sensor pocket socket	E	365	556	952
Spacing of user-type suspension	R	300–310, 350–372, 432–468		



NAD 50v1, 100v1

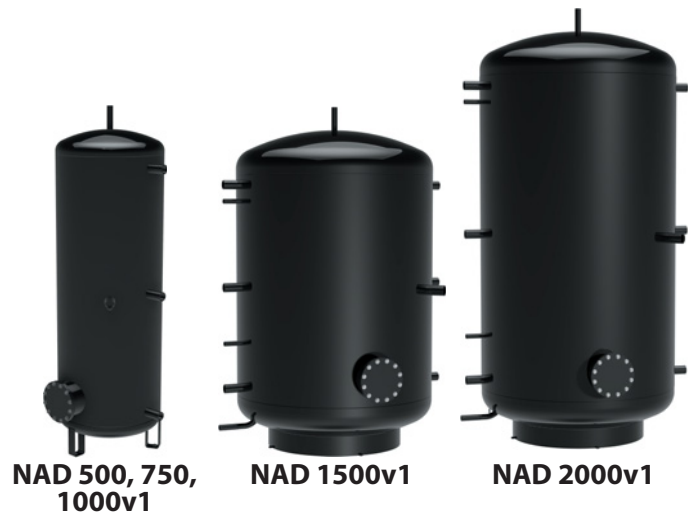


NAD 250v1

Storage tank NAD v1 (types 500–2000)



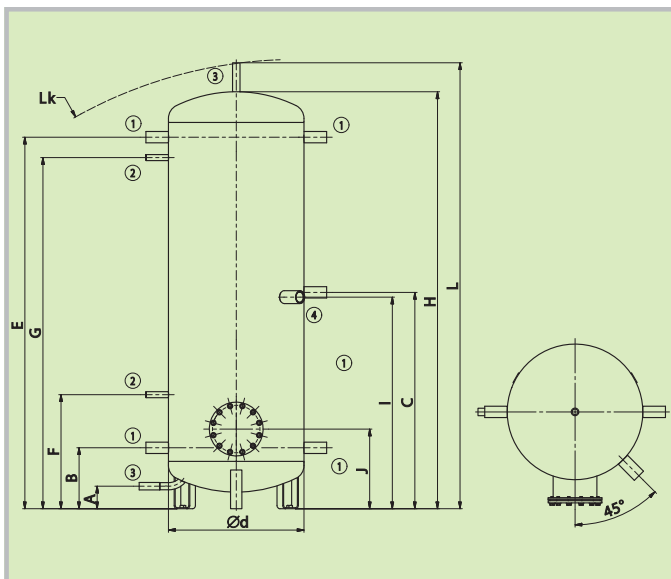
- Types: 500, 750, 1000, 1500, 2000 l
- The tank is supplied without insulation
- Modern Neodul insulation can be ordered
- Suitable as an equalization tank for heating systems with solid fuel boilers
- The TPK 210-12 heating unit can be mounted into the flange
- We can supply 2 more custom made flanges for the tank
- The TJ 6/4" heating unit can be mounted into the socket



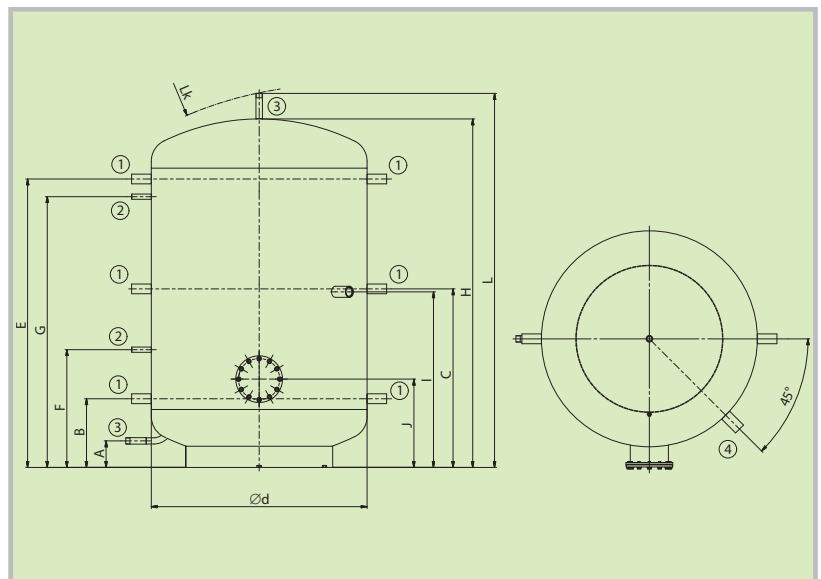
Socket dimensions	NAD 500v1	NAD 750v1	NAD 1000v1	NAD 1500v1	NAD 2000v1
Socket 1 – female thr.			1¼"		
Socket 2 – female thr.			½"		
Socket 3 – male thr.			1"		
Socket 4 – female thr.			1½"		

Technical parameters		NAD 500v1	NAD 750v1	NAD 1000v1	NAD 1500v1	NAD 2000v1
Order number		121380393	121680393	121580393	122180393	122280393
Heating water volume in tank	[l]	475	772	999	1507	2007
Weight	[kg]	85	109	126	204	247
Max. operating temperature / pressure in tank	[°C] / [bar]	90 / 3				
Insulation thickness (Neodul LB PP)	[mm]	80			100	120
Heat conductivity of insulation (Neodul LB PP)	[W·m ⁻¹ ·K ⁻¹]	0,032				
Insulation order number (Neodul LB PP)		6231902	6231904	6231905	6231710	6231711
Max. number × output of TPK 210-12	[ks] × [kW]	1 × 12				
Max. number × output of TJ 6/4"	[ks] × [kW]	1 × 9				
Energy efficiency class (Neodul LB PP)		C				
Standing loss (Neodul LB PP)	[W]	83	122	135	165	185

Tank dimensions		NAD 500v1	NAD 750v1	NAD 1000v1	NAD 1500v1	NAD 2000v1
Tank diameter	∅ d	600	750	850	1100	1100
Total tank height	L	1970	2028	2040	1906	2436
Tilting height	L _k	1990	2050	2060	1925	2480
Tank height	H	1847	1903	1916	1778	2307
Discharging connection	A	100	100	100	135	135
Z/T circuit socket	B	270	282	297	350	350
Z/T circuit socket	C	958	970	985	910	1175
Z/T circuit socket	E	1644	1656	1671	1470	2000
Sensor pocket socket	F	505	517	532	600	600
Sensor pocket socket	G	1554	1566	1581	1380	1910
TJ 6/4" heating unit socket	I	937	950	965	895	1160
Flange socket	J	353	366	381	450	450



NAD 500, 750, 1000v1

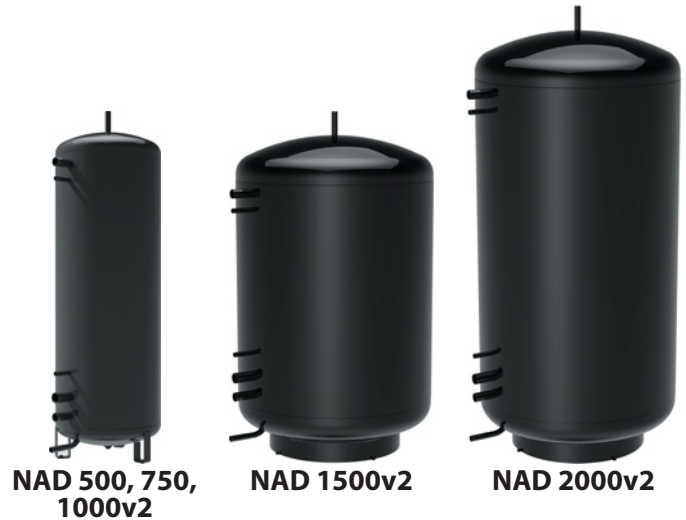


NAD 1500, 2000v1

Storage tank NAD v2



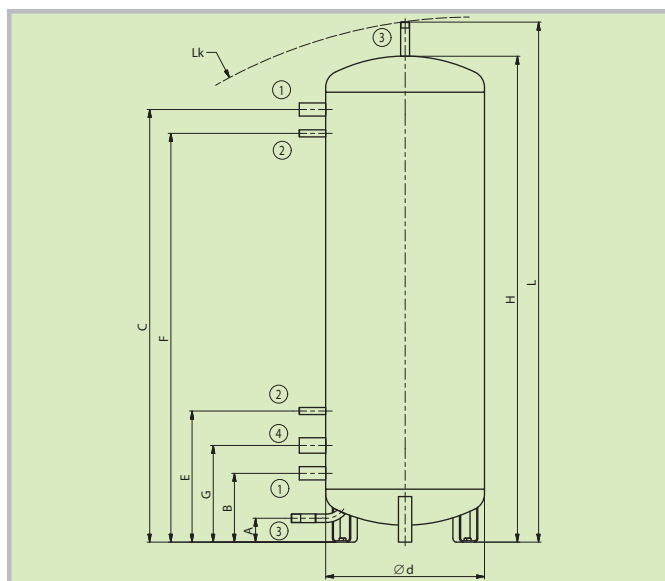
- Types: 500, 750, 1000, 1500, 2000 l
- The tank is supplied without insulation
- Modern Neodul insulation can be ordered
- Suitable as an equalization tank for heating systems with solid fuel boilers
- The TJ 6/4" heating unit can be mounted into the socket



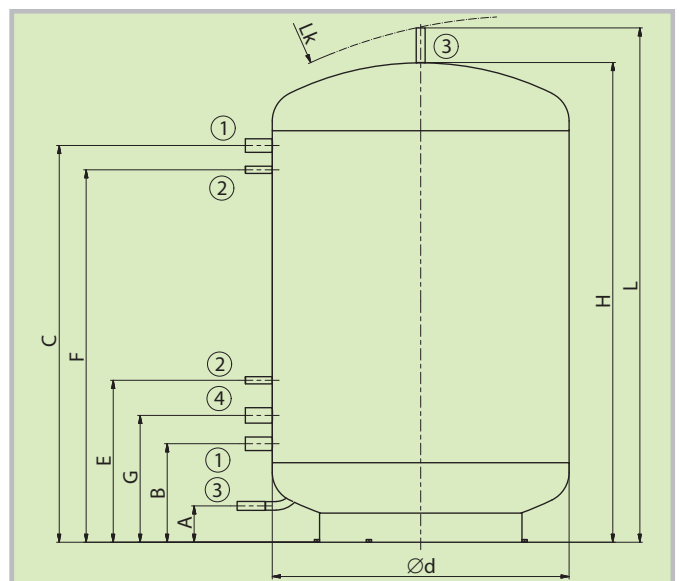
Socket dimensions	NAD 500v2	NAD 750v2	NAD 1000v2	NAD 1500v2	NAD 2000v2
Socket 1 – female thr.			1¼"		
Socket 2 – female thr.			½"		
Socket 3 – male thr.			1"		
Socket 4 – female thr.			1½"		

Technical parameters		NAD 500v2	NAD 750v2	NAD 1000v2	NAD 1500v2	NAD 2000v2
Order number		121380394	121680394	121580394	122180394	122280394
Heating water volume in tank	[l]	475	772	999	1507	2007
Weight	[kg]	76	101	114	192	235
Max. operating temperature / pressure in tank	[°C] / [bar]	90 / 3				
Insulation thickness (Neodul LB PP)	[mm]	80			100	120
Heat conductivity of insulation (Neodul LB PP)	[W·m ⁻¹ ·K ⁻¹]	0,032				
Insulation order number (Neodul LB PP)		6231908	6231913	6231909	6231712	6231713
Max. number × output of TJ 6/4"	[ks] × [kW]	1 × 9				
Energy efficiency class (Neodul LB PP)		C				
Standing loss (Neodul LB PP)	[W]	83	122	135	165	185

Tank dimensions		NAD 500v2	NAD 750v2	NAD 1000v2	NAD 1500v2	NAD 2000v2
Tank diameter	∅ d	600	750	850	1100	1100
Total tank height	L	1970	2028	2040	1906	2436
Tilting height	L _k	1990	2050	2060	1925	2480
Tank height	H	1847	1903	1916	1778	2307
Discharging connection	A	100	100	100	135	135
Z/T circuit socket	B	270	282	297	365	365
Z/T circuit socket	C	1644	1656	1671	1470	2000
Sensor pocket socket	E	505	517	532	600	600
Sensor pocket socket	F	1554	1566	1581	1380	1910
TJ 6/4" heating unit socket	G	375	386	402	470	470



NAD 500, 750, 1000v2



NAD 1500, 2000v2

Storage tank NAD v3



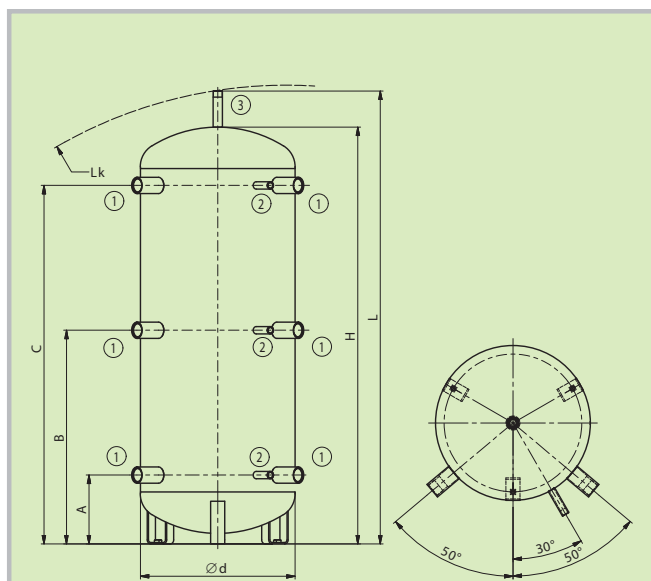
- Types: 300, 500, 750, 1000 l
- The tank is supplied without insulation
- Modern Neodul insulation can be ordered
- Suitable as an equalization tank for heating systems with solid fuel boilers
- The TPK 210-12 heating unit can be mounted into the flange
- The TJ 6/4" heating unit can be mounted into the socket



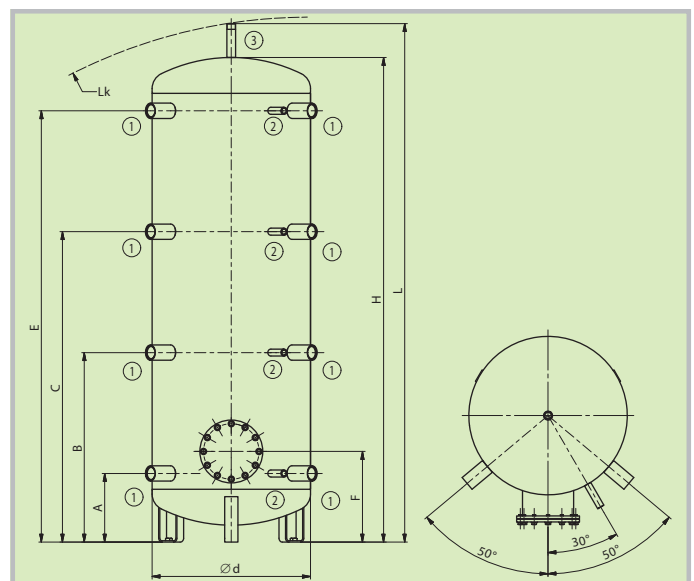
Socket dimensions	NAD 300v3	NAD 500v3	NAD 750v3	NAD 1000v3
Socket 1 – female thread			1½"	
Socket 2 – female thread			½"	
Socket 3 – male thread			1"	

Technical parameters		NAD 300v3	NAD 500v3	NAD 750v3	NAD 1000v3
Order number		121080387	121380387	121680387	121580387
Heating water volume in tank	[l]	320	475	772	999
Weight	[kg]	60	87	110	126
Max. operating temperature / pressure in tank	[°C] / [bar]	90 / 3			
Insulation thickness (Neodul LB PP)	[mm]	80			
Heat conductivity of insulation (Neodul LB PP)	[W·m ⁻¹ ·K ⁻¹]	0,032			
Insulation order number (Neodul LB PP)		6231900	6231912	6231906	6231910
Max. number × output of TPK 210-12	[ks] × [kW]	1 × 12			
Max. number × output of TJ 6/4"	[ks] × [kW]	1 × 3,3 + 3 × 9	2 × 3,3 + 4 × 9	2 × 3,75 + 4 × 9	2 × 6 + 4 × 9
Energy efficiency class (Neodul LB PP)		C			
Standing loss (Neodul LB PP)	[W]	80	83	122	135

Tank dimensions		NAD 300v3	NAD 500v3	NAD 750v3	NAD 1000v3
Tank diameter	∅ d	550	600	750	850
Total tank height	L	1610	1970	2028	2040
Tilting height	L _k	1620	1990	2050	2060
Tank height	H	1480	1847	1903	1916
Z/T circuit and sensor pocket socket	A	245	270	282	297
Z/T circuit and sensor pocket socket	B	760	728	739	755
Z/T circuit and sensor pocket socket	C	1275	1186	1197	1213
Z/T circuit and sensor pocket socket	E	–	1644	1656	1671
Flange socket	F	–	353	366	381



NAD 300v3



NAD 500, 750, 1000v3

Storage tank NADS v3



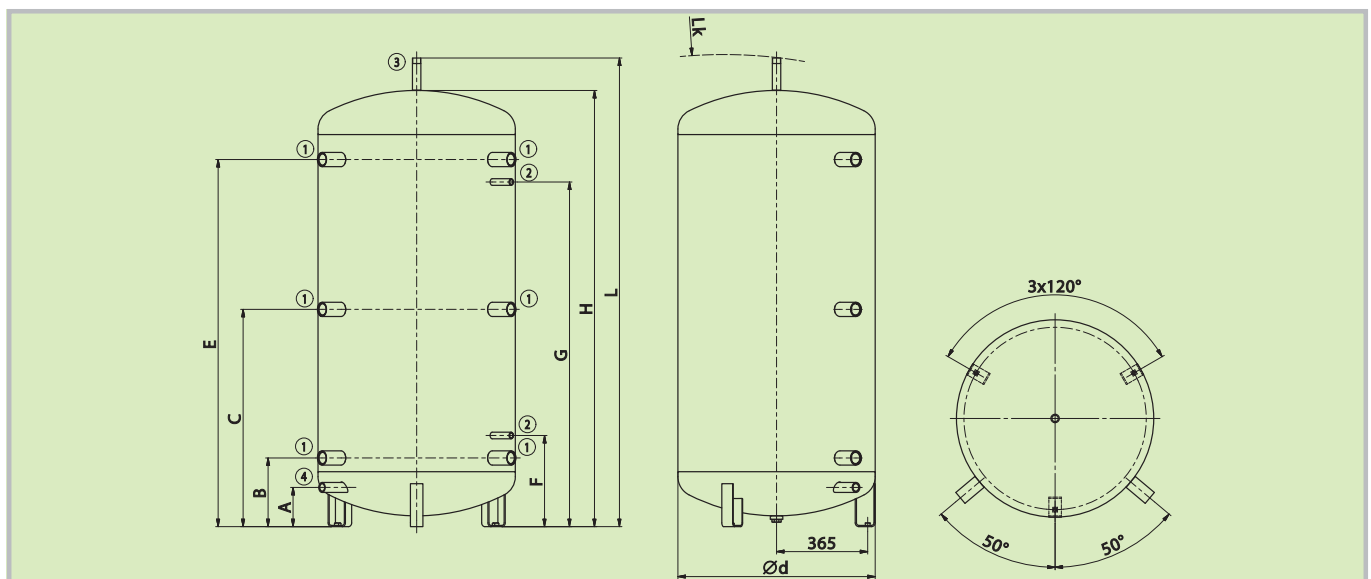
- Types: 800, 900 l
- The tank is supplied without insulation
- Modern Neodul insulation can be ordered
- Suitable as an equalization tank for heating systems with solid fuel boilers
- The TJ 6/4" heating unit can be mounted into the socket
- The tank is dimensioned for passage through the 80 cm door



Socket dimensions	NADS 800v3	NADS 900v3
Socket 1 – female thread		1½"
Socket 2 – female thread		½"
Socket 3 – male thread		1"
Socket 4 – female thread		1"

Technical parameters		NADS 800v3	NADS 900v3
Order number		121880387	121880388
Heating water volume in tank	[l]	775	930
Weight	[kg]	100	132
Max. operating temperature / pressure in tank	[°C] / [bar]		90 / 3
Insulation thickness (Neodul LB PP)	[mm]		80
Heat conductivity of insulation (Neodul LB PP)	[W·m ⁻¹ ·K ⁻¹]		0,032
Insulation order number (Neodul LB PP)		6232097	6232098
Max. number × output of TJ 6/4"	[ks] × [kW]	1 × 3,75 + 3 × 9	1 × 3,75 + 4 × 9
Energy efficiency class (Neodul LB PP)			C
Standing loss (Neodul LB PP)	[W]	116	132

Tank dimensions		NADS 800v3	NADS 900v3
Tank diameter	∅ d	790	790
Total tank height	L	1880	2205
Tilting height	L _k	1900	2220
Tank height	H	1750	2075
Discharging connection	A	275	275
Z/T circuit socket	B	760	728
Z/T circuit socket	C	870	1020
Z/T circuit socket	E	1470	1795
Sensor pocket	F	365	365
Sensor pocket	G	1380	1705



Storage tank NAD v4



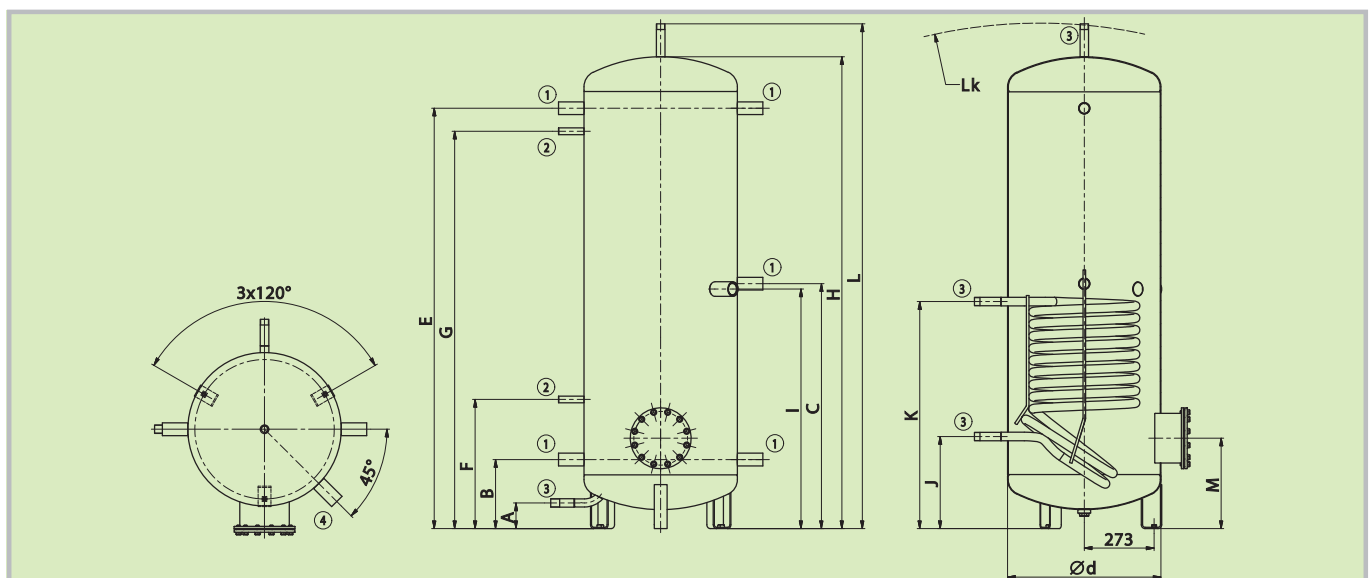
- Types: 500, 750, 1000 l
- The tank is supplied without insulation
- Modern Neodul insulation can be ordered
- Suitable as an equalization tank for heating systems with solid fuel boilers
- The TJ 6/4" heating unit can be mounted into the socket
- The TPK 210-12 heating unit can be mounted into the flange



Socket dimensions	NAD 500v4	NAD 750v4	NAD 1000v4
Socket 1 – female thread		1 1/4"	
Socket 2 – female thread		1/2"	
Socket 3 – male thread		1"	
Socket 4 – female thread		1 1/2"	

Technical parameters		NAD 500v4	NAD 750v4	NAD 1000v4
Order number		121380395	121680395	121580395
Heating water volume in tank	[l]	475	772	999
Weight	[kg]	110	135	149
Max. operating temperature / pressure in tank	[°C] / [bar]		90 / 3	
Heat transfer surface of exchanger	[m ²]		1,5	
Exchanger volume	[l]		10,5	
Max. operating temperature / pressure in exchanger	[°C] / [bar]		110 / 10	
Insulation thickness (Neodul LB PP)	[mm]		80	
Heat conductivity of insulation (Neodul LB PP)	[W·m ⁻¹ ·K ⁻¹]		0,032	
Insulation order number (Neodul LB PP)		6231902	6231904	6231905
Max. number × output of TPK 210-12	[ks] × [kW]	1 × 6		1 × 12
Max. number × output of TJ 6/4"	[ks] × [kW]		1 × 9	
Energy efficiency class (Neodul LB PP)			C	
Standing loss (Neodul LB PP)	[W]	80	119	133

Tank dimensions		NAD 500v4	NAD 750v4	NAD 1000v4
Tank diameter	∅ d	600	750	850
Total tank height	L	1970	2030	2040
Tilting height	L _k	1990	2050	2060
Tank height	H	1847	1903	1916
Discharging connection	A	100	100	100
Z/T circuit socket	B	270	282	297
Z/T circuit socket	C	958	970	985
Z/T circuit socket	E	1644	1656	1671
Sensor pocket socket	F	505	517	532
Sensor pocket socket	G	1554	1566	1581
TJ 6/4" heating unit socket	I	937	950	965
Heat exchanger socket	J	360	344	387
Heat exchanger socket	K	888	872	915
Flange socket	M	353	366	381



Storage tank NAD v5



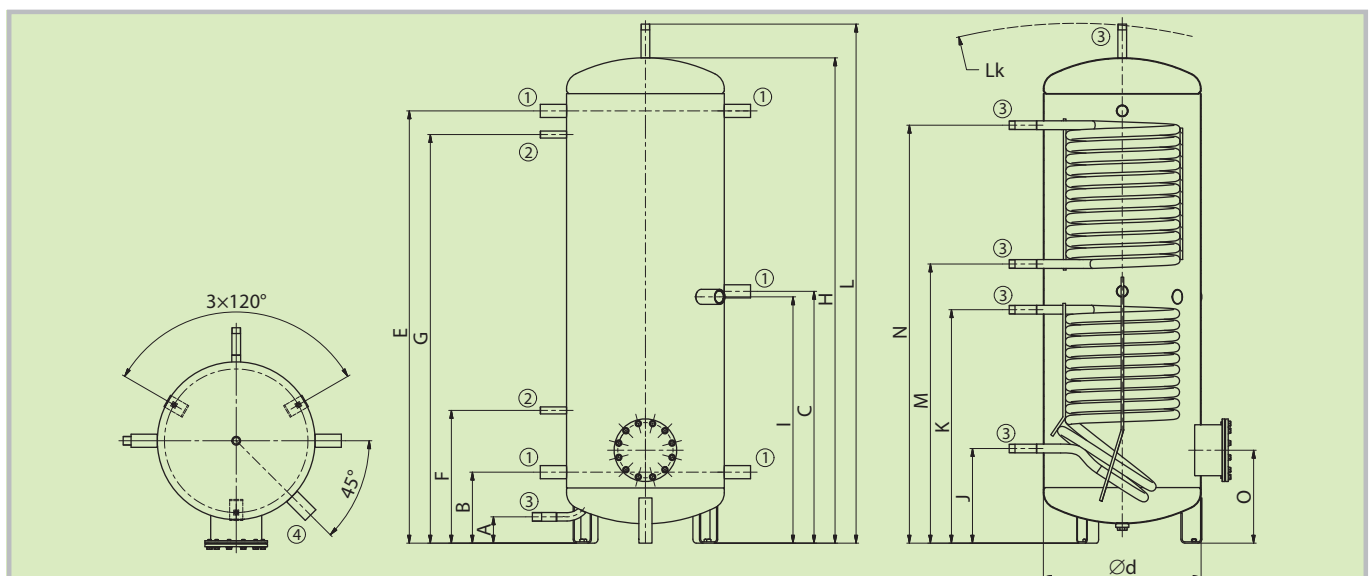
- Types: 500, 750, 1000 l
- The tank is supplied without insulation
- Modern Neodul insulation can be ordered
- Suitable as an equalization tank for heating systems with biomass, coal, gas, electricity and solar collectors
- The TJ 6/4" heating unit can be mounted into the socket
- The TPK 210-12 heating unit can be mounted into the socket



Socket dimensions	NAD 500v5	NAD 750v5	NAD 1000v5
Socket 1 – female thread		1 1/4"	
Socket 2 – female thread		1/2"	
Socket 3 – male thread		1"	
Socket 4 – female thread		1 1/2"	

Technical parameters		NAD 500v5	NAD 750v5	NAD 1000v5
Order number		121380386	121680386	121580386
Heating water volume in tank	[l]	475	772	999
Weight	[kg]	138	156	173
Max. operating temperature / pressure in tank	[°C] / [bar]		90 / 3	
Heat transfer surface of exchanger (top/bottom)	[m ²]		1,5 / 1,5	
Exchanger volume (top/bottom)	[l]		10,5 / 10,5	
Max. operating temperature/pressure in exchanger	[°C] / [bar]		110 / 10	
Insulation thickness (Neodul LB PP)	[mm]		80	
Heat conductivity of insulation (Neodul LB PP)	[W·m ⁻¹ ·K ⁻¹]		0,032	
Insulation order number (Neodul LB PP)		6231902	6231904	6231905
Max. number × output of TPK 210-12	[ks] × [kW]	1 × 6		1 × 12
Max. number × output of TJ 6/4"	[ks] × [kW]		1 × 9	
Energy efficiency class (Neodul LB PP)			C	
Standing loss (Neodul LB PP)	[W]	83	122	126

Tank dimensions		NAD 500v5	NAD 750v5	NAD 1000v5
Tank diameter	∅ d	600	750	850
Total tank height	L	1970	2028	2040
Tilting height	L _k	1990	2050	2060
Tank height	H	1847	1903	1916
Discharging connection	A	100	100	100
Z/T circuit socket	B	270	282	297
Z/T circuit socket	C	958	970	985
Z/T circuit socket	E	1644	1656	1671
Sensor pocket socket	F	505	517	532
Sensor pocket socket	G	1554	1566	1581
TJ 6/4" heating unit socket	I	937	950	965
Lower heat exchanger socket	J	360	344	387
Lower heat exchanger socket	K	888	872	915
Upper heat exchanger socket	M	1062	1043	1089
Upper heat exchanger socket	N	1590	1571	1617
Flange socket	O	353	366	381



Storage tank NADO v1



- Types: 500, 750, 1000 l
- Inner HW storage tank in volumes of 140 and 200 l
- The tank is supplied without insulation
- Modern Neodul insulation can be ordered
- Suitable as a storage tank for heating systems with solid fuel boilers
- The TPK 210-12 heating unit can be mounted into the flange
- The TJ 6/4" heating unit can be mounted into the socket for 140 l version

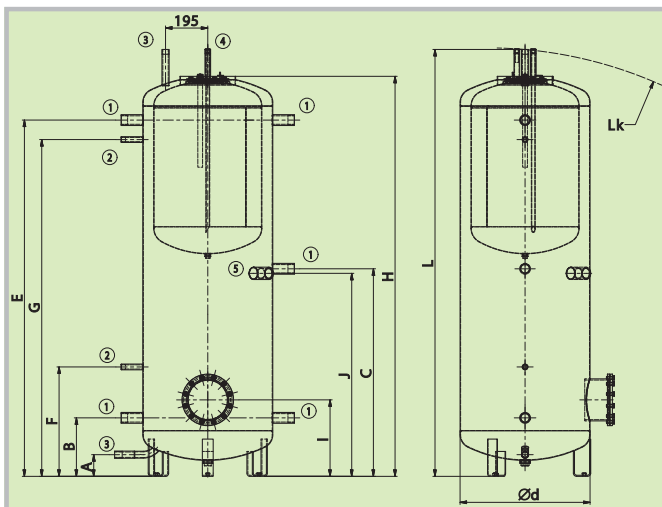


NADO 500/140v1 NADO 500/200v1

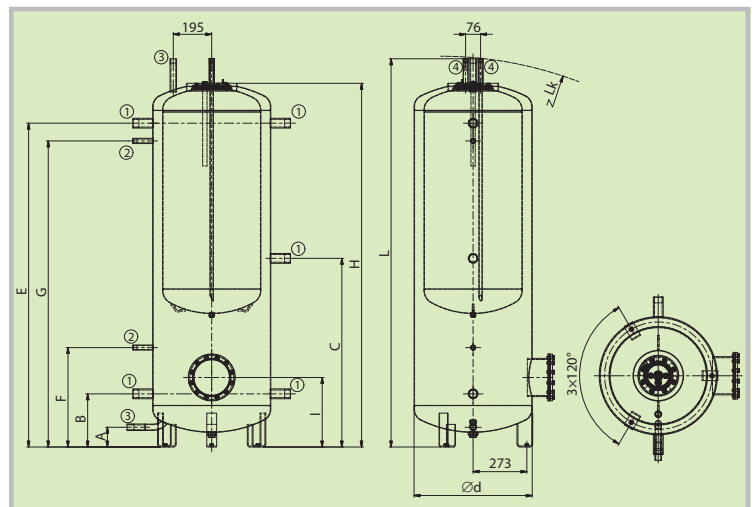
Socket dimensions	NADO 500v1	NADO 750v1	NADO 1000v1
Socket 1 – female thread		1 1/4"	
Socket 2 – female thread		1/2"	
Socket 3 – male thread		1"	
Socket 4 – female thread		3/4"	
Socket 5 – female thread		1 1/2"	

Technical parameters		NADO 500/140v1	NADO 750/140v1	NADO 1000/140v1	NADO 500/200v1	NADO 750/200v1	NADO 1000/200v1
Order number		121380315	121680315	121580315	121380397	121680397	121580397
Heating water volume in tank	[l]	475	772	999	475	772	999
Volume of storage tank for HW heating	[l]		140			210	
Weight	[kg]	113	137	152	127	151	166
Max. operating temperature / pressure in tank	[°C] / [bar]	90 / 3					
Max. operating temp. / pressure in HW storage tank	[°C] / [bar]	90 / 6					
Heat transfer surface of HW storage tank	[m ²]	1,43			1,95		
Capacity of hot water 40 °C at storage tank temp. 53 °C and inlet water 15 °C / HW flow rate*	[l] / [l·min ⁻¹]	260 / 5	490 / 5	750 / 5	260 / 10	490 / 10	750 / 10
Capacity of hot water 40 °C at storage tank temp 80 °C and inlet water 15 °C / HW flow rate*	[l] / [l·min ⁻¹]	650 / 5	1170 / 5	1450 / 5	650 / 10	1170 / 10	1450 / 10
Insulation thickness (Neodul LB PP)	[mm]	80					
Heat conductivity of insulation (Neodul LB PP)	[W·m ⁻¹ ·K ⁻¹]	0,032					
Insulation order number (Neodul LB PP)		6231902	6231904	6231905	6231902	6231904	6231905
Max. number × output of TPK 210-12	[ks] × [kW]	1 × 12					
Max. number × output of TJ 6/4"	[ks] × [kW]	1 × 9					
Energy efficiency class (Neodul LB PP)		B	C		B	C	
Standing loss (Neodul LB PP)	[W]	80	117	130	80	117	130

Tank dimensions		NADO 500/140v1	NADO 750/140v1	NADO 1000/140v1	NADO 500/200v1	NADO 750/200v1	NADO 1000/200v1
Tank diameter	∅ d	600	750	850	600	750	850
Total tank height	L	1970	2028	2040	1970	2028	2040
Tilting height	L _k	1990	2050	2060	1990	2050	2060
Tank height	H	1847	1903	1916	1847	1903	1916
Discharging connection	A	100	100	100	100	100	100
Z/T circuit socket	B	270	282	297	270	282	297
Z/T circuit socket	C	958	970	985	958	970	985
Z/T circuit socket	E	1644	1656	1671	1644	1656	1671
Sensor pocket socket	F	505	517	532	505	517	532
Sensor pocket socket	G	1554	1566	1581	1554	1566	1581
Flange socket	I	353	366	381	353	366	381
TJ 6/4" heating unit socket	J	937	950	965	–	–	–



NADO 500/140v1



NADO 500/200v1

Storage tank NADO v1



- Types: 500, 750 l
- Inner HW storage tank in volumes of 300 and 250 L
- The tank is supplied without insulation
- Modern Neodul insulation can be ordered
- Suitable as a storage tank for heating systems with heat pumps
- The TJ 6/4" heating unit can be mounted into the socket



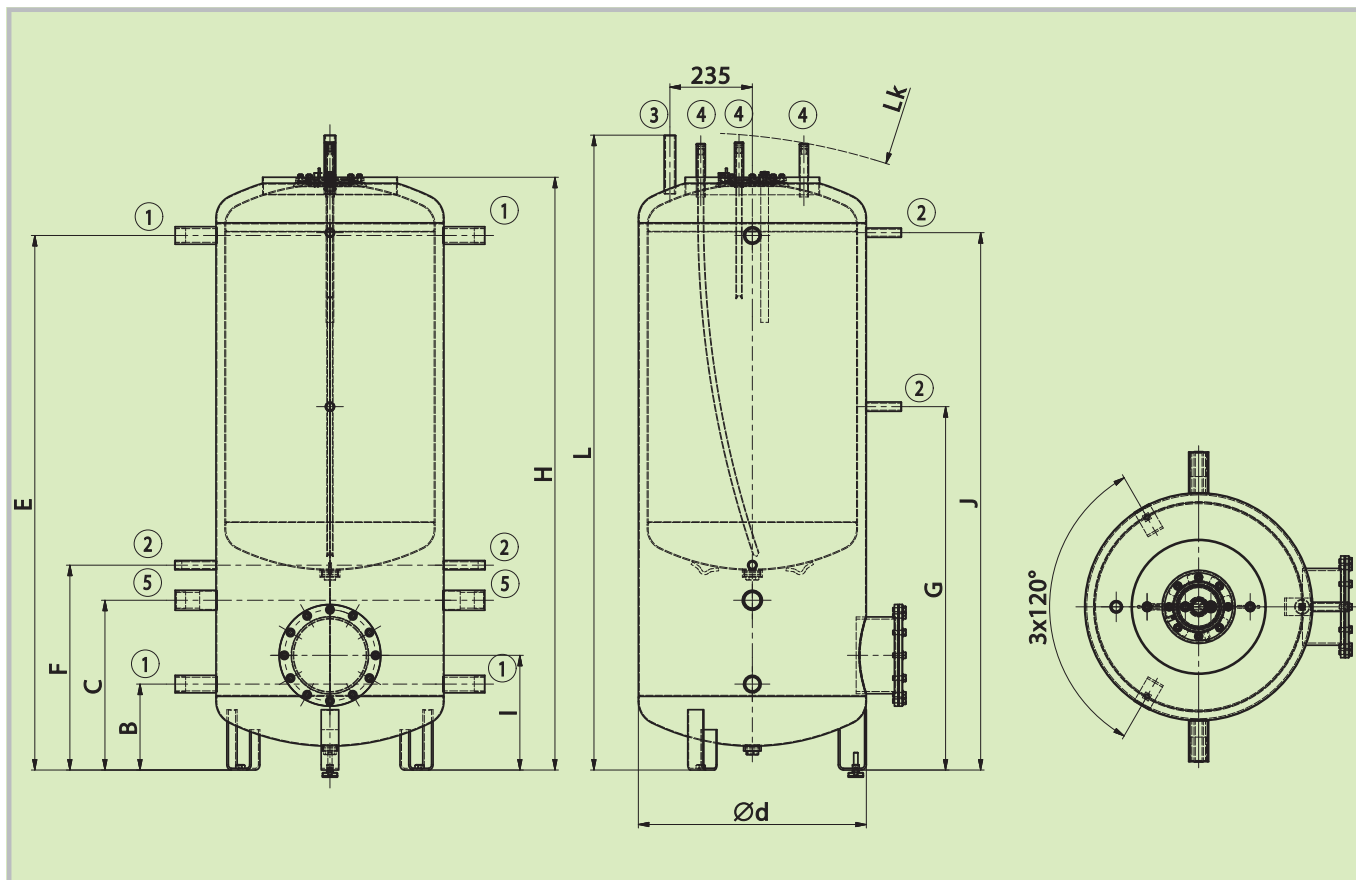
Socket dimensions	NADO 500/300v1	Socket dimensions	NADO 750/250v1
Socket 1 – female thread	1 1/4"	Socket 1 – female thread	1 1/4"
Socket 2 – female thread	1/2"	Socket 2 – female thread	1 1/2"
Socket 3 – male thread	1"	Socket 3 – male thread	1"
Socket 4 – male thread	3/4"	Socket 4 – male thread	3/4"
Socket 5 – female thread	1 1/2"	Sensor pocket	Ø 15x2-150

Technical parameters		NADO 500/300v1	NADO 750/250v1
Order number		121380314	121680314
Heating water volume in tank	[l]	475	772
Volume of storage tank for HW heating	[l]	279	260
Weight	[kg]	153	180
Max. operating temperature / pressure in tank	[°C] / [bar]	90 / 3	
Max. operating temperature / pressure in HW storage tank	[°C] / [bar]	90 / 6	
Heat transfer surface of HW storage tank	[m ²]	2,58	2,15
Capacity of hot water 40 °C at storage tank temperature 53 °C and inlet water 15 °C / HW flow rate*	[l] / [l·min ⁻¹]	260 / 10	490 / 10
Capacity of hot water 40 °C at storage tank temperature 80 °C and inlet water 15 °C / HW flow rate*	[l] / [l·min ⁻¹]	650 / 10	1170 / 10
Insulation thickness (Neodul LB PP)	[mm]	80	
Heat conductivity of insulation (Neodul LB PP)	[W·m ⁻¹ ·K ⁻¹]	0,032	
Insulation order number (Neodul LB PP)		6231947	6231915
Max. number × output of TJ 6/4"	[ks] × [kW]	1 × 9	3 × 9
Energy efficiency class (Neodul LB PP)		B	C
Standing loss (Neodul LB PP)	[W]	80	117

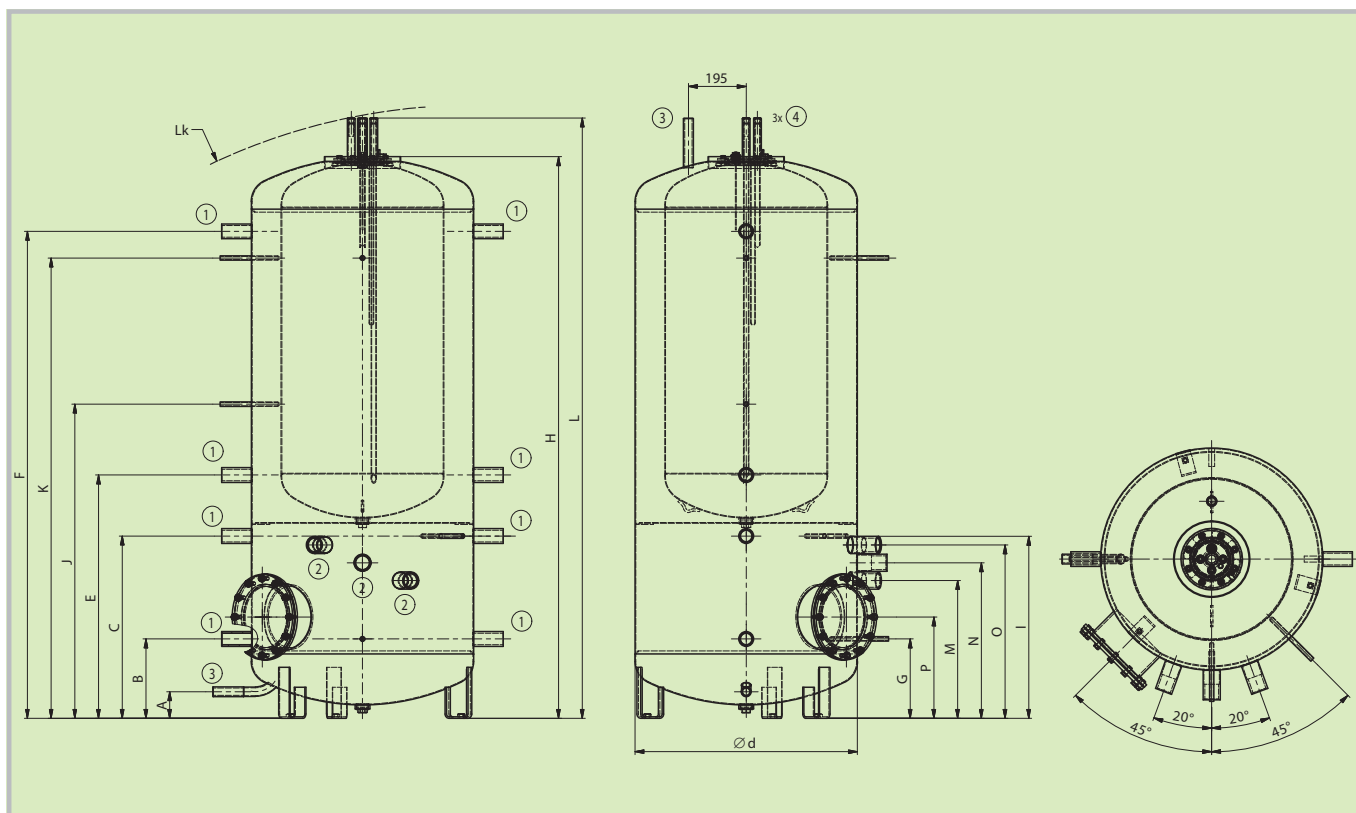
Tank dimensions		NADO 500/300v1
Tank diameter	Ø d	650
Total tank height	L	1821
Tilting height	L _k	1841
Tank height	H	1690
Z/T circuit socket	B	245
Z/T circuit socket	C	484
TJ 6/4" heating unit socket	E	1524
Sensor pocket socket	F	584
Sensor pocket socket	G	1036
Sensor pocket socket	I	327
Flange socket	J	1532

Tank dimensions		NADO 750/250v1
Tank diameter	Ø d	750
Total tank height	L	2041
Tilting height	L _k	2063
Tank height	H	1914
Discharging connection	A	100
Z/T circuit socket	B	278
Z/T circuit socket	C	625
Z/T circuit socket	E	831
Z/T circuit socket	F	1656
Sensor pocket socket	G	278
Sensor pocket socket	I	625
Sensor pocket socket	J	1070
Sensor pocket socket	K	1566
TJ 6/4" heating unit socket	M	475
TJ 6/4" heating unit socket	N	535
TJ 6/4" heating unit socket	O	595
Flange socket	P	352

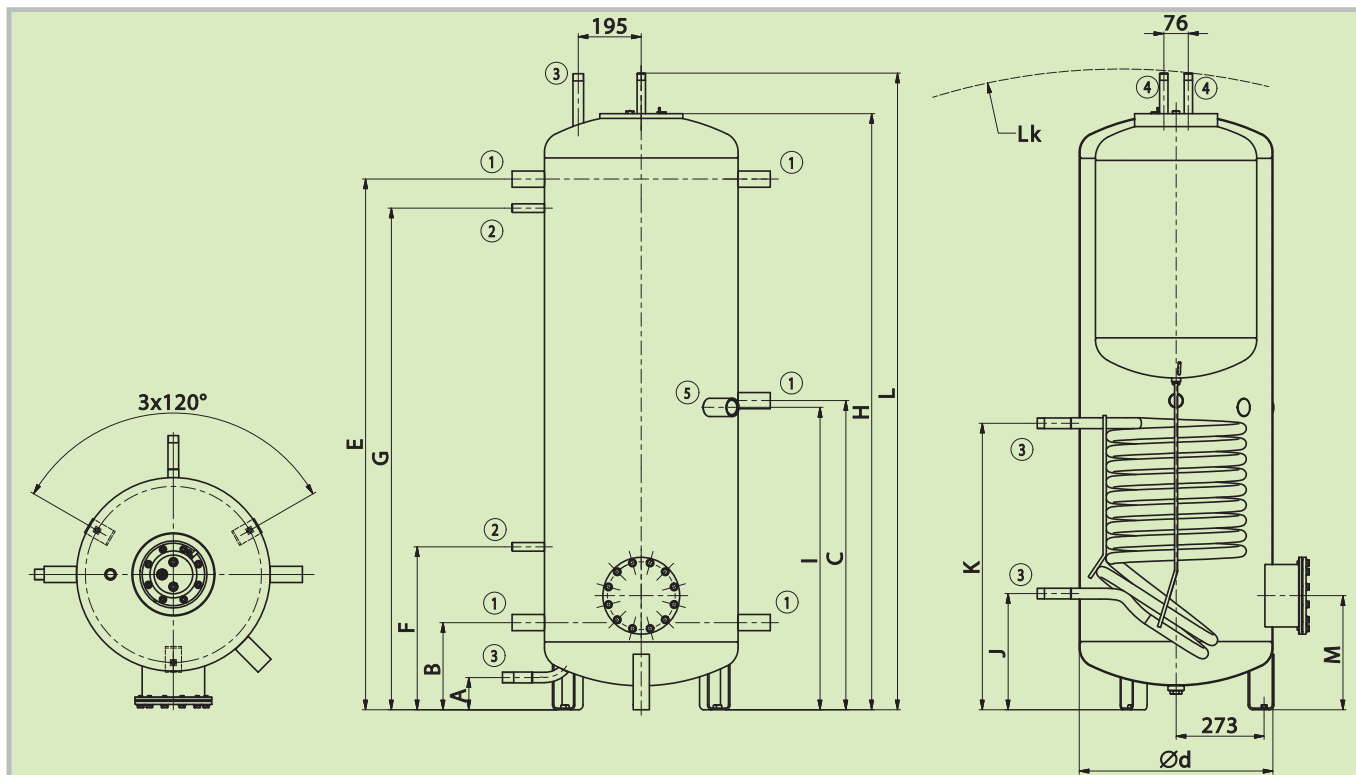




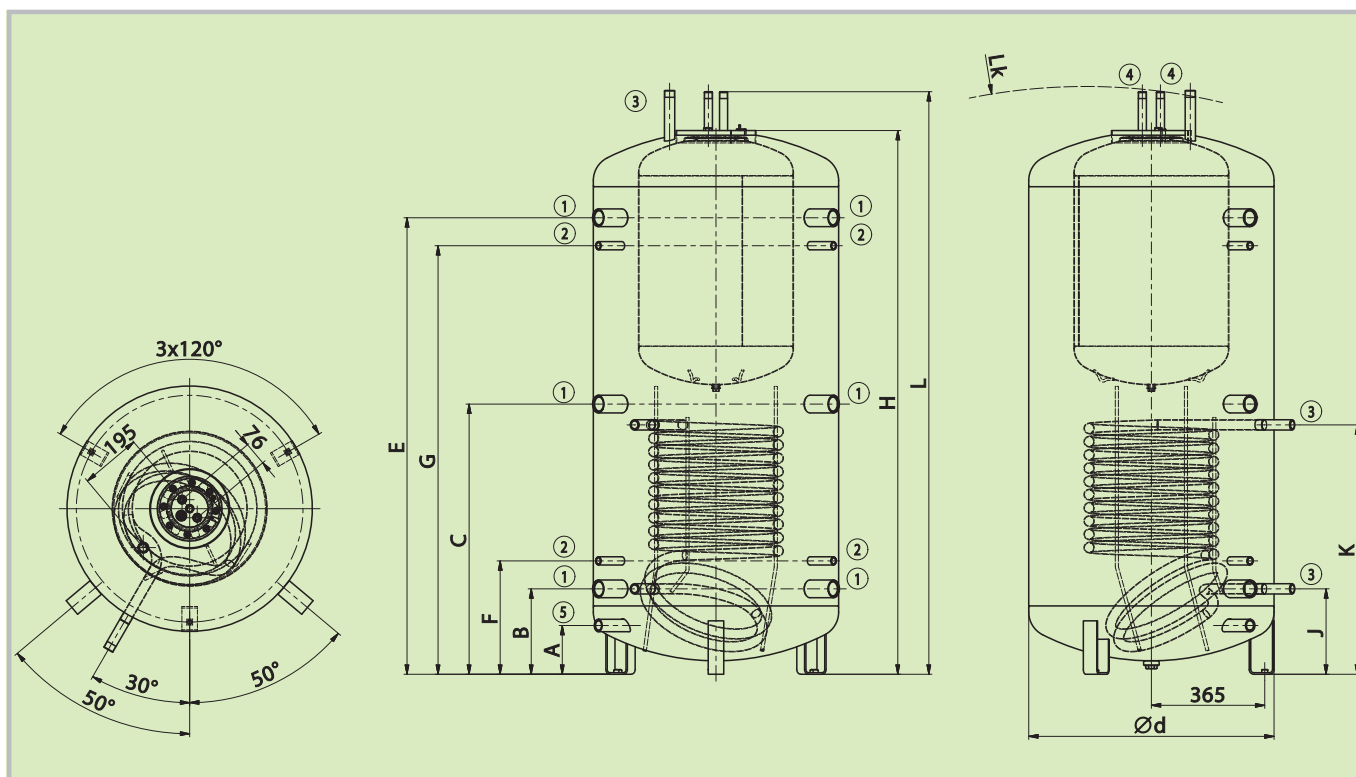
NADO 500/300v1



NADO 750/250v1



NADO 500/140v2



NADOS 800/140v2



Storage tank NADOS v2



- Types: 800, 900 l
- Inner HW storage tank in a volume of 140 l
- The tank is supplied without insulation
- Modern Neodul insulation can be ordered
- Suitable as an equalization tank for heating systems with solid fuel boilers
- The TJ 6/4" heating unit can be mounted into the socket
- The tank is dimensioned for passage through the 80 cm door



Socket dimensions	NADOS 800/140v1	NADOS 900/140v1
Socket 1 – female thread		1½"
Socket 2 – female thread		½"
Socket 3 – male thread		1"
Socket 4 – male thread		¾"
Socket 5 – female thread		1"

Technical parameters		NADOS 800/140v2	NADOS 900/140v2
Order number		121880391	121880392
Celkový objem nádrže	[l]	775	930
Heating water volume in tank	[l]		140
Weight	[kg]	155	186
Max. operating temperature / pressure in tank	[°C] / [bar]		90 / 3
Max. operating temperature / pressure in HW storage tank	[°C] / [bar]		90 / 6
Heat transfer surface of HW storage tank	[m²]		1,43
Max. operating temperature / pressure in exchanger	[°C] / [bar]		110 / 10
Heat transfer surface of exchanger	[m²]		1,5
Exchanger volume	[l]		10,5
Capacity of hot water 40 °C at storage tank temperature 53 °C and inlet water 15 °C / HW flow rate*	[l] / [l·min ⁻¹]	495 / 5	700 / 5
Capacity of hot water 40 °C at storage tank temperature 80 °C and inlet water 15 °C / HW flow rate*	[l] / [l·min ⁻¹]	1175 / 5	1350 / 5
Insulation thickness (Neodul LB PP)	[mm]		80
Heat conductivity of insulation (Neodul LB PP)	[W·m ⁻¹ ·K ⁻¹]		0,032
Insulation order number (Neodul LB PP)		6232097	6232098
Max. number × output of TJ 6/4"	[ks] × [kW]	1 × 3,75 + 1 × 9	1 × 3,75 + 1 × 9
Energy efficiency class (Neodul LB PP)			C
Standing loss (Neodul LB PP)	[W]	116	132

Tank dimensions		NADOS 800/140v2	NADOS 900/140v2
Tank diameter	∅ d	790	790
Total tank height	L	1880	2205
Tilting height	L _K	1900	2220
Tank height	H	1750	2075
Discharging connection	A	157	157
Z/T circuit socket	B	275	275
Z/T circuit socket	C	870	1020
Z/T circuit socket	E	1470	1795
Sensor pocket	F	365	365
Sensor pocket	G	1380	1705
Heat exchanger socket	J	275	275
Heat exchanger socket	K	803	803

Storage tank NADO v3



- Types: 500, 750, 1000 l
- Inner HW storage tank in a volume of 100 l
- The tank is supplied without insulation
- Modern Neodul insulation can be ordered
- Suitable as an storage tank for heating systems with solid fuel boilers and solar systems
- The TPK 210-12 heating unit can be mounted into the flange

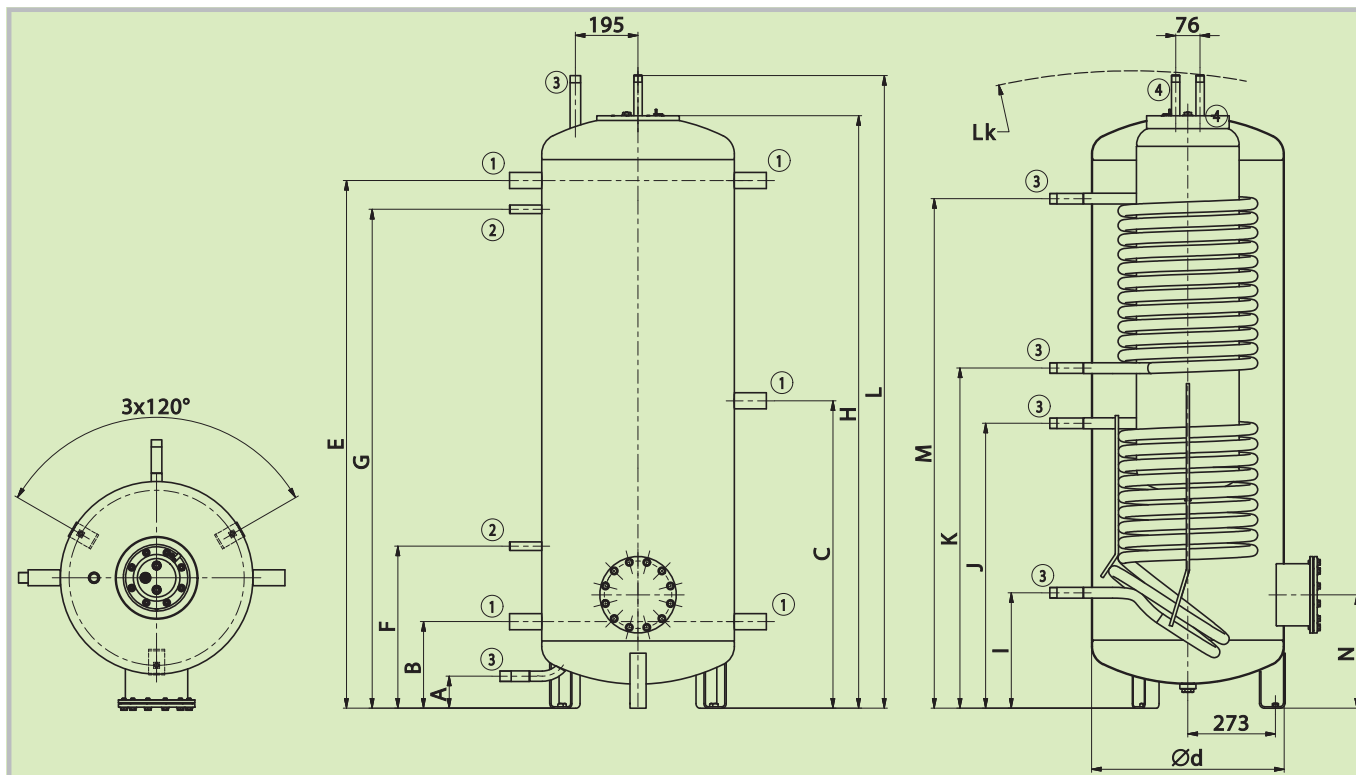


Socket dimensions	NADO 500/100v3	NADO 750/100v3	NADO 1000/100v3
Socket 1 – female thread		1/4"	
Socket 2 – female thread		1/2"	
Socket 3 – male thread		1"	
Socket 4 – male thread		3/4"	

Technical parameters		NADO 500/100v3	NADO 750/100v3	NADO 1000/100v3
Order number		121380388	121680388	121580388
Heating water volume in tank	[l]	475	772	999
Volume of storage tank for HW heating	[l]		92	
Weight	[kg]	168	195	202
Max. operating temperature / pressure in tank	[°C] / [bar]		90 / 3	
Max. operating temperature / pressure in HW storage tank	[°C] / [bar]		90 / 6	
Heat transfer surface of HW storage tank	[m ²]		1,25	
Max. operating temperature / pressure in exchanger	[°C] / [bar]		110 / 10	
Heat transfer surface of exchanger (top / bottom)	[m ²]		1,5 / 1,5	
Exchanger volume (top / bottom)	[l]		10,5 / 10,5	
Capacity of hot water 40 °C at storage tank temperature 53 °C and inlet water 15 °C / HW flow rate*	[l] / [l·min ⁻¹]	260 / 5	490 / 5	750 / 5
Capacity of hot water 40 °C at storage tank temperature 80 °C and inlet water 15 °C / HW flow rate*	[l] / [l·min ⁻¹]	650 / 5	1170 / 5	1450 / 5
Insulation thickness (Neodul LB PP)	[mm]		80	
Heat conductivity of insulation (Neodul LB PP)	[W·m ⁻¹ ·K ⁻¹]		0,032	
Insulation order number (Neodul LB PP)		6231902	6231904	6231905
Max. number × output of TPK 210-12	[ks] × [kW]	1 × 6		1 × 12
Exchanger volume flow rate	[m ³ ·h ⁻¹]		0,3	
Energy efficiency class (Neodul LB PP)		B		C
Standing loss (Neodul LB PP)	[W]	80	117	130

Tank dimensions		NADO 500/100v3	NADO 750/100v3	NADO 1000/100v3
Tank diameter	∅ d	600	750	850
Total tank height	L	1970	2028	2040
Tilting height	L _k	1990	2050	2060
Tank height	H	1847	1903	1916
Discharging connection	A	100	100	100
Z/T circuit socket	B	270	282	297
Z/T circuit socket	C	958	970	985
Z/T circuit socket	E	1644	1656	1671
Sensor pocket socket	F	505	517	532
Sensor pocket socket	G	1554	1566	1581
Heat exchanger socket	I	360	344	387
Heat exchanger socket	J	888	872	915
Heat exchanger socket	K	1060	1043	1089
Heat exchanger socket	M	1588	1571	1617
Flange socket	N	353	366	381





NADO 500/100v3

Storage tank NADO v6



- Types: 300, 500, 750, 1000 l
- Heating by HW flow in a stainless steel exchanger with an above-average heat transfer surface
- The tank is available with insulation in a volume of 300 l and without insulation in volumes of 500, 750, and 1000 l
- Modern Neodul insulation can be ordered
- Various heat sources can be connected such as biomass, coal, gas and electric boilers, heat pumps and solar collectors
- The TJ 6/4" electric cartridges can be mounted into sockets no. 4



NADO 300v6

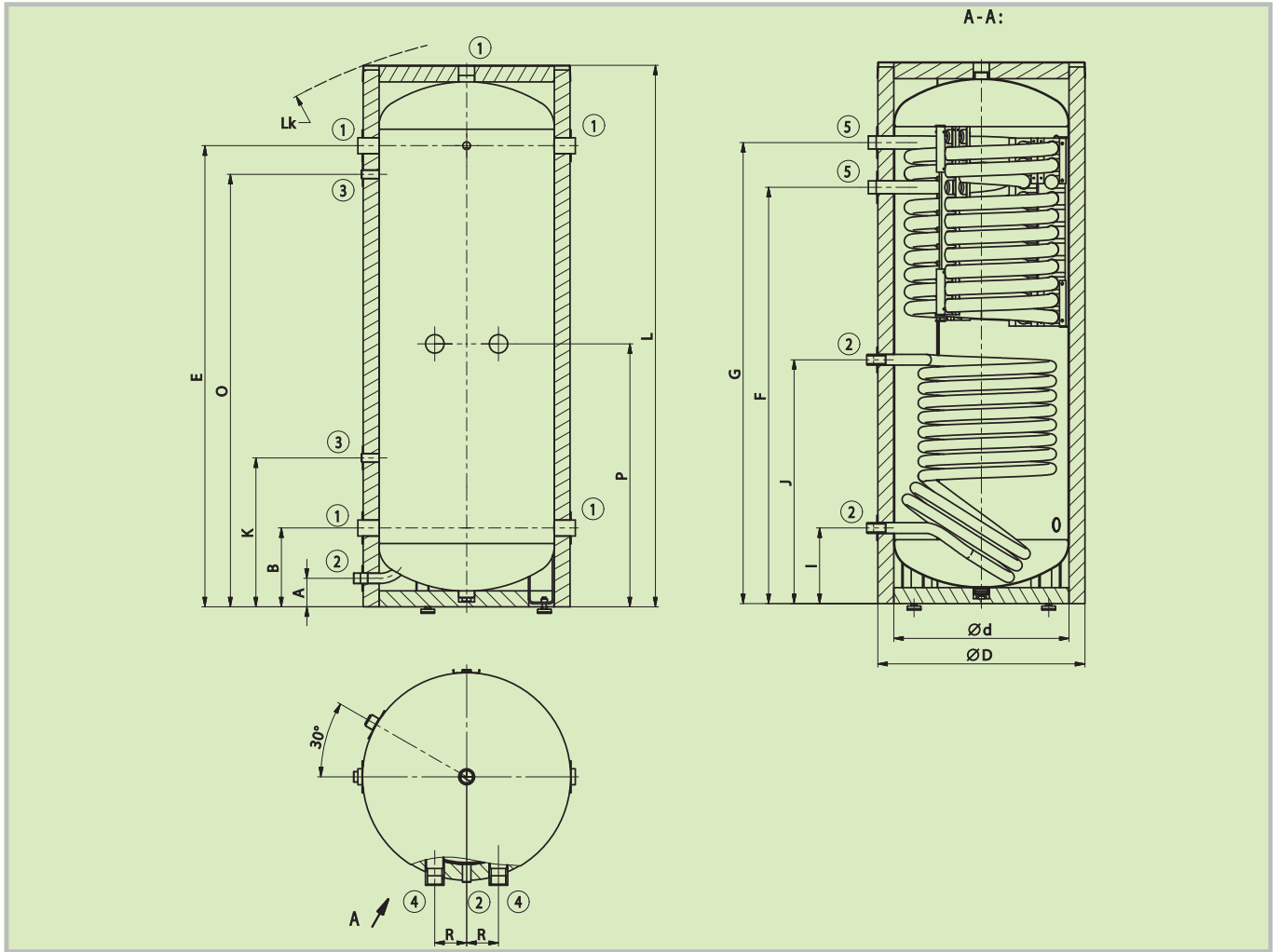
NADO 500, 750, 1000v6

Socket dimensions	NADO 300/20v6	NADO 500/25v6	NADO 750/35v6	NADO 1000/45v6
Socket 1 – female thread		1¼"		
Socket 2 – male thread		1"		
Socket 3 – female thread		½"		
Socket 4 – female thread		1½"		
Socket 5 – male thread		1¼"		

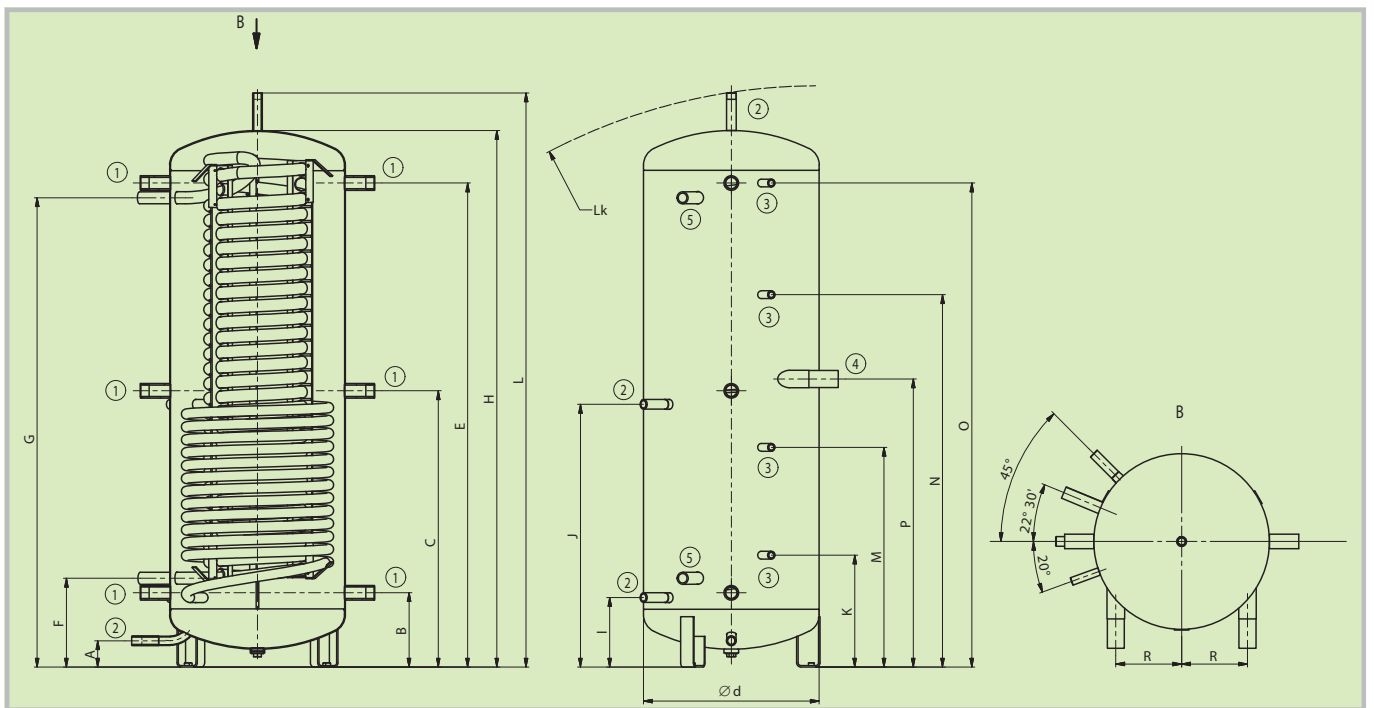
Technical parameters		NADO 300/20v6	NADO 500/25v6	NADO 750/35v6	NADO 1000/45v6
Order number		121080398	121380350	121680350	121580350
Heating water volume in tank	[l]	358	475	772	999
Exchanger volume pro ohřev HW	[l]	20	23	32	37
Weight	[kg]	106	134	165	197
Max. operating temperature / pressure in tank	[°C] / [bar]	90 / 3			
Max. operating temperature / pressure in exchanger HW	[°C] / [bar]	90 / 6			
Max. operating temperature / pressure in heat exchanger	[°C] / [bar]	110 / 10			
Heat transfer surface of exchanger HW	[m ²]	4,5	6,25	8,5	10
HW exchanger volume flow rate	[m ³ ·h ⁻¹]	0,6			
Heat transfer surface of heat exchanger (top / bottom)	[m ²]	- / 1,6	- / 2,2	- / 2,2	- / 3,3
Heat exchanger volume (top / bottom)	[l]	- / 12	- / 18	- / 18	- / 25
Capacity of hot water 40 °C at storage tank temperature 53 °C and inlet water 15 °C / HW flow rate*	[l] / [l·min ⁻¹]	210 / 10	260 / 10	490 / 10	750 / 10
Capacity of hot water 40 °C at storage tank temperature 80 °C and inlet water 15 °C / HW flow rate*	[l] / [l·min ⁻¹]	520 / 10	650 / 10	1170 / 10	1450 / 10
Insulation thickness (Neodul LB PP)	[mm]	60	80		
Heat conductivity of insulation (Neodul LB PP)	[W·m ⁻¹ ·K ⁻¹]	0,032			
Insulation order number (Neodul LB PP)		tank component	6231957	6231958	6231959
Max. num. × out. of TJ 6/4" h. unit with extended cooling section	[ks] × [kW]	2 × 4,5	2 × 6		
Energy efficiency class (Neodul LB PP)		C			
Standing loss (Neodul LB PP)	[W]	97	91	114	148

Tank dimensions		NADO 300/20v6	NADO 500/25v6	NADO 750/35v6	NADO 1000/45v6
Tank diameter	∅ d	550	600	750	850
Tank diameter with insulation	∅ D	670	-	-	-
Total tank height	L	1705	1970	2030	2040
Tilting height	L _k	1820	1990	2050	2060
Tank height	H	-	1847	1903	1916
Discharging connection	A	80	100	100	100
Z/T circuit socket	B	238	262	280	297
Z/T circuit socket	C	-	952	1018	1040
Z/T circuit socket	E	1438	1662	1680	1700
HW socket – inlet	F	1299	312	320	380
HW socket – outlet	G	1440	1612	1680	1700
Solar exchanger socket – outlet	I	228	245	270	280
Solar exchanger socket – inlet	J	756	905	884	980
Sensor pocket socket	K	458	392	415	463
Sensor pocket socket	M	-	762	742	755
Sensor pocket socket	N	-	1282	1219	1213
Sensor pocket socket	O	1348	1662	1695	1715
TJ 6/4" heating unit socket	P	816	992	1017	1040
TJ 6/4" heating unit socket	R	100	225	290	340





NADO 300v6



NADO 500, 750, 1000v6

Storage tank NADO v7



- Types: 500, 750, 1000 l
- HW heating in inner storage tank 200 l
- The tank is supplied without insulation
- Modern Neodul insulation can be ordered
- Various heat sources can be connected such as biomass, coal, gas and electric boilers, heat pumps and solar collectors
- The TJ 6/4" heating unit can be mounted into sockets no. 5

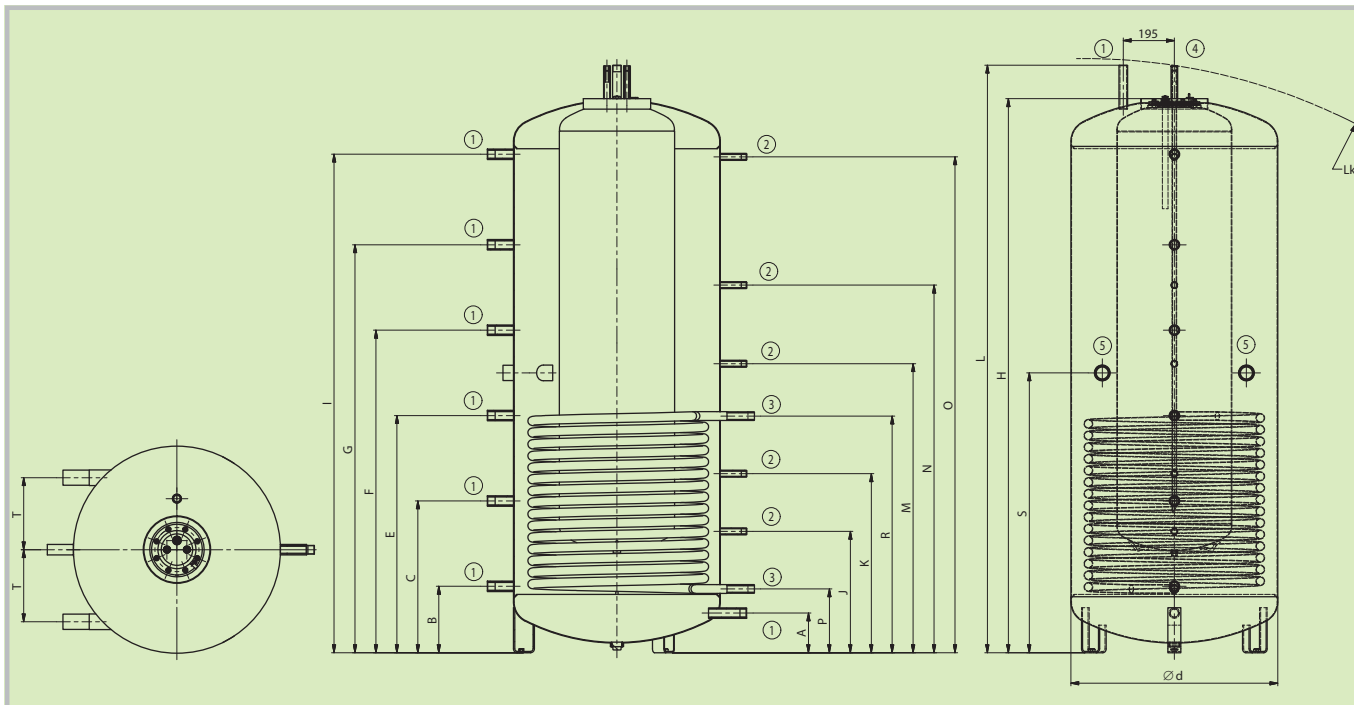


Socket dimensions	NADO 500/200v7	NADO 750/200v7	NADO 1000/200v7
Socket 1 – female thread		1"	
Socket 2 – female thread		1/2"	
Socket 3 – male thread		1"	
Socket 4 – male thread		3/4"	
Socket 5 – female thread	–		1/2"

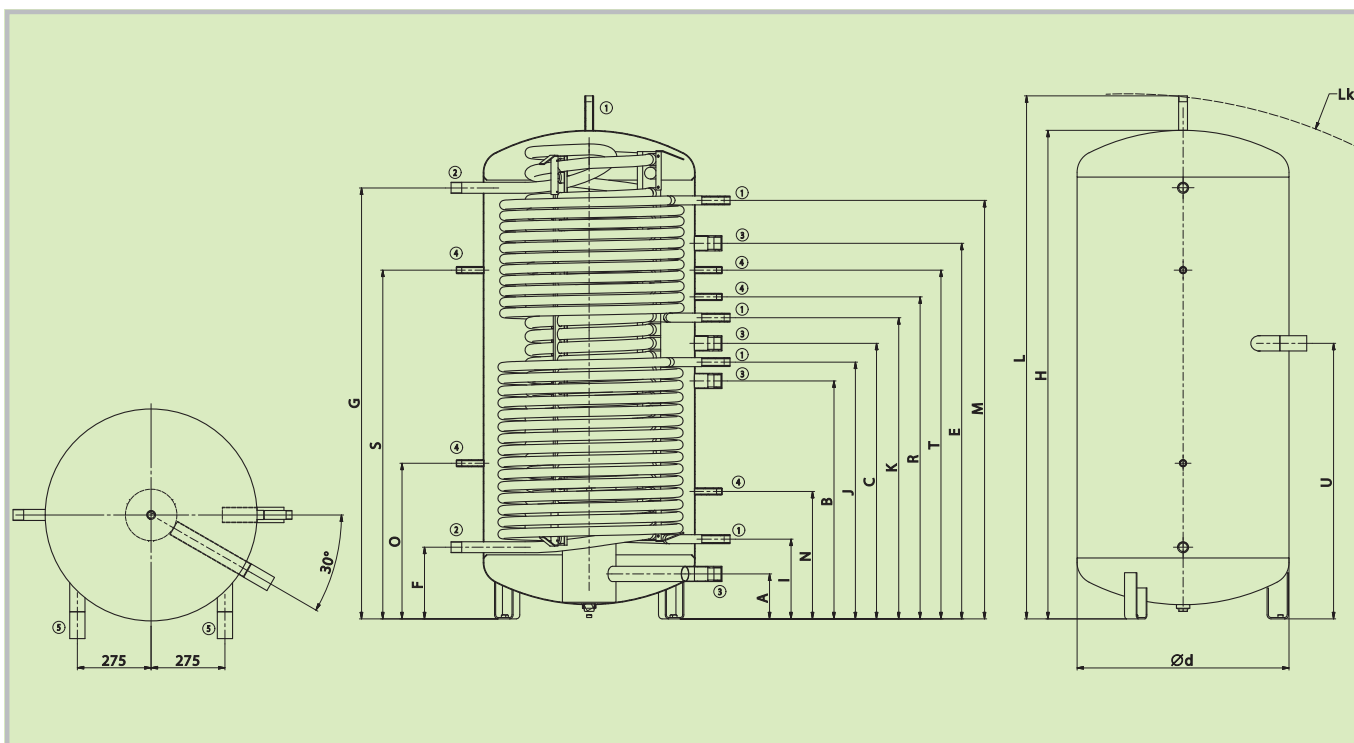
Technical parameters		NADO 500/200v7	NADO 750/200v7	NADO 1000/200v7
Order number		121380373	121880354	121780354
Heating water volume in tank	[l]	475	772	999
Volume of storage tank for HW heating	[l]		233	
Weight	[kg]	175	212	243
Max. operating temperature / pressure in tank	[°C] / [bar]		90 / 3	
Max. operating temperature / pressure in exchanger HW	[°C] / [bar]		90 / 6	
Max. operating temperature / pressure in heat exchanger	[°C] / [bar]		110 / 10	
Heat transfer surface of HW storage tank	[m ²]		2,29	
Exchanger volume flow rate	[m ³ ·h ⁻¹]		0,6	
Heat transfer surface of heat exchanger	[m ²]	2,5	3,3	3,3
Heat exchanger volume	[l]	18	25	25
Capacity of hot water 40 °C at storage tank temperature 53 °C and inlet water 15 °C / HW flow rate*	[l] / [l·min ⁻¹]	260 / 10	490 / 10	750 / 10
Capacity of hot water 40 °C at storage tank temperature 80 °C and inlet water 15 °C / HW flow rate*	[l] / [l·min ⁻¹]	650 / 10	1170 / 10	1450 / 10
Insulation thickness (Neodul LB PP)	[mm]		80	
Heat conductivity of insulation (Neodul LB PP)	[W·m ⁻¹ ·K ⁻¹]		0,032	
Insulation order number (Neodul LB PP)		6231923	6231956	6231948
Max. num. × out. of TJ 6/4" h. unit with extended cooling section	[ks] × [kW]	–		2 × 6
Energy efficiency class (Neodul LB PP)		B		C
Standing loss (Neodul LB PP)	[W]	76	113	126

Tank dimensions		NADO 500/200v7	NADO 750/200v7	NADO 1000/200v7
Tank diameter	∅ d	600	790	790
Total tank height	L	1982	1954	2242
Tilting height	L _k	2002	1994	2310
Discharging connection	A	146	157	159
Z/T circuit socket	B	249	259	261
Z/T circuit socket	C	574	585	587
Z/T circuit socket	E	901	911	913
Z/T circuit socket	F	1226	1237	1239
Z/T circuit socket	G	–	–	1565
Z/T circuit socket	I	1679	1609	1911
Tank height	H	1835	1815	2115
Sensor pocket socket	J	477	469	471
Sensor pocket socket	K	690	689	691
Sensor pocket socket	M	1099	1109	1111
Sensor pocket socket	N	–	–	1411
Sensor pocket socket	O	–	1609	1901
Solar exchanger socket – outlet	P	239	249	251
Solar exchanger socket – inlet	R	1019	909	911
TJ 6/4" heating unit socket	S	–	1074	1076
TJ 6/4" heating unit socket	T	–	275	275





NADO 1000/200 v7

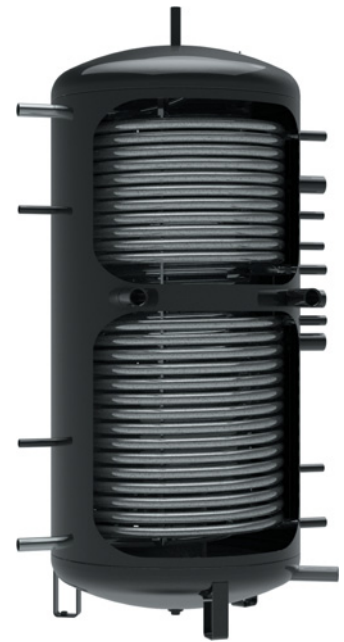


NADO 800/35 v9

Storage tank NADO v9



- Types: 800, 1000 l
- Heating by HW flow in a stainless steel exchanger with an above-average heat transfer surface
- The tank is supplied without insulation
- Modern Neodul insulation can be ordered
- Various heat sources can be connected such as biomass, coal, gas and electric boilers, heat pumps and solar collectors
- The TJ 6/4" heating unit can be mounted into sockets no. 3



Socket dimensions	NADO 800/35v9	NADO 1000/35v9
Socket 1 – male thread		1"
Socket 2 – male thread		1 1/4"
Socket 3 – male thread		1 1/2"
Socket 4 – female thread		1/2"
Socket 5 – female thread		1 1/2"

Technical parameters		NADO 800/35v9	NADO 1000/35v9
Order number		121880333	121780333
Heating water volume in tank	[l]	820	999
Volume of storage tank for HW heating	[l]	32	32
Weight	[kg]	224	275
Max. operating temperature / pressure in tank	[°C] / [bar]		90 / 3
Max. operating temperature / pressure in exchanger HW	[°C] / [bar]		90 / 6
Max. operating temperature / pressure in heat exchanger	[°C] / [bar]		110 / 10
Heat transfer surface of exchanger HW	[m ²]		8,5
HW exchanger volume flow rate	[m ³ ·h ⁻¹]		0,6
Heat transfer surface of heat exchanger (top / bottom)	[m ²]	2,2 / 3,3	3,3 / 3,3
Heat exchanger volume (top / bottom)	[l]	18 / 25	25 / 25
Capacity of hot water 40 °C at storage tank temperature 53 °C and inlet water 15 °C / HW flow rate*	[l] / [l·min ⁻¹]	620 / 10	750 / 10
Capacity of hot water 40 °C at storage tank temperature 80 °C and inlet water 15 °C / HW flow rate*	[l] / [l·min ⁻¹]	1287 / 10	1450 / 10
Insulation thickness (Neodul LB PP)	[mm]		80
Heat conductivity of insulation (Neodul LB PP)	[W·m ⁻¹ ·K ⁻¹]		0,032
Insulation order number (Neodul LB PP)		6231992	6231993
Max. number × output of TJ 6/4" heating unit with extended cooling section	[ks] × [kW]		2 × 6
Energy efficiency class (Neodul LB PP)			C
Standing loss (Neodul LB PP)	[W]	118	138

Tank dimensions		NADO 800/35v9	NADO 1000/35v9
Tank diameter	∅ d	790	790
Total tank height	L	1950	2250
Tilting height	L _k	1990	2285
Stratification column socket	A	167	167
Z/T circuit socket	B	887	960
Z/T circuit socket	C	1027	1117
Z/T circuit socket	E	1400	1530
HW socket – inlet	F	267	537
HW socket – outlet	G	1607	1897
Tank height	H	1820	2120
Solar exchanger socket – outlet	I	297	267
Solar exchanger socket – inlet	J	957	1037
Upper exchanger socket – outlet	K	1123	1202
Upper exchanger socket – inlet	M	1560	1862
Sensor pocket socket	N	475	505
Sensor pocket socket	O	580	650
Sensor pocket socket	P	–	850
Sensor pocket socket	R	1200	1340
Sensor pocket socket	S	1300	1510
Sensor pocket socket	T	1300	1460
TJ 6/4" heating unit socket	U	1027	1140

Storage tank NADO v11



- Types: 300, 400, 750, 1000 l
- Heating by HW flow in a stainless steel exchanger with an above-average heat transfer surface
- The tank is available with insulation in a volume of 300 and 400 l and without insulation in volumes of 750 and 1000 l
- Modern Neodul insulation can be ordered
- Various heat sources can be connected – suitable especially for heat pumps with photovoltaic
- The TJ 6/4" heating unit can be mounted into sockets no. 4
- The TPK 210-12 heating unit can be mounted into the flange



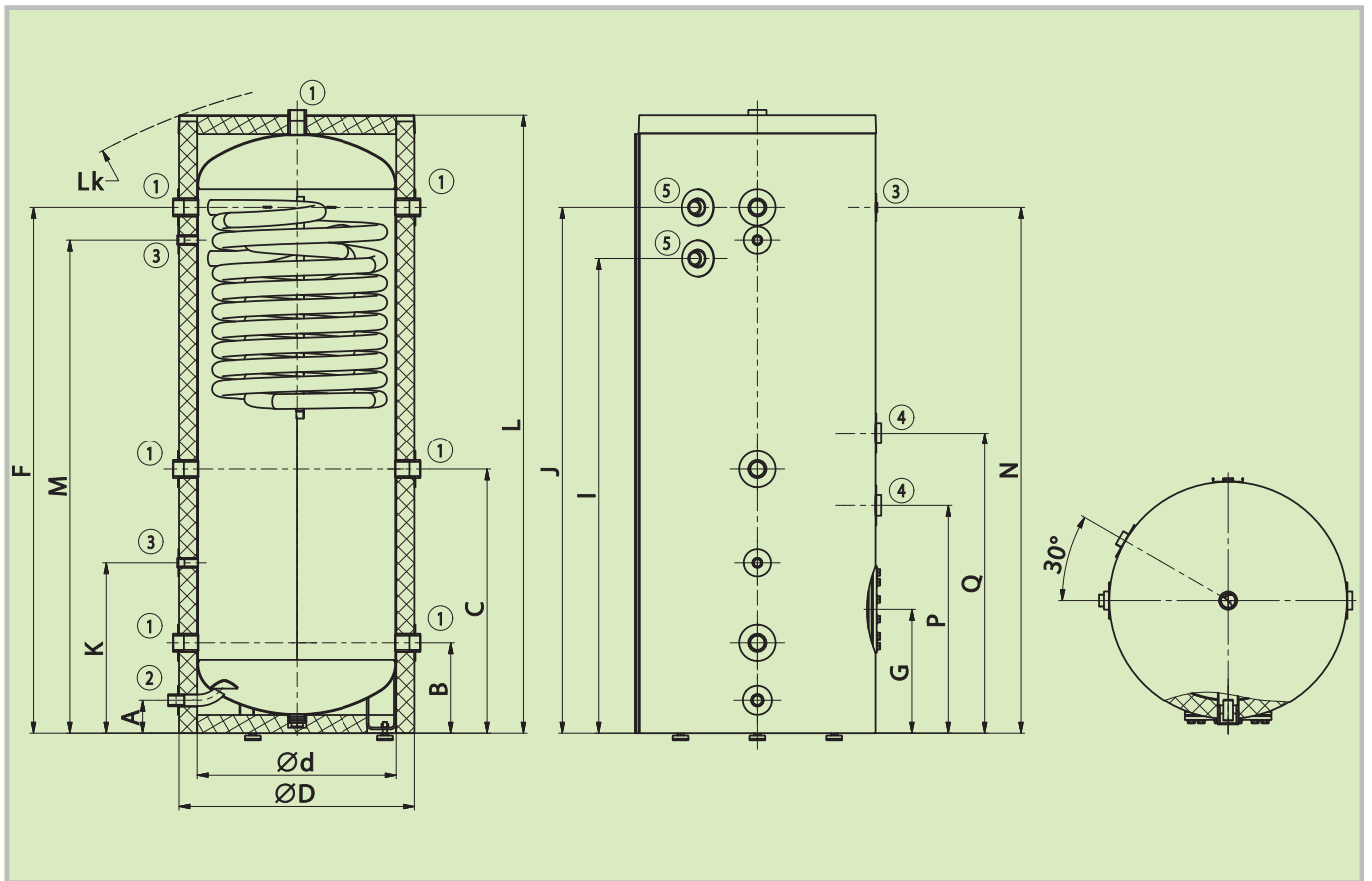
NADO 300, 400v11 NADO 750, 1000v11

Socket dimensions	NADO 300/20v11	NADO 400/20v11	NADO 750/25v11	NADO 1000/25v11
Socket 1 – female thr.		1 1/4"		
Socket 2 – male thr.		1"		
Socket 3 – female thr.		1/2"		
Socket 4 – female thr.		1 1/2"		
Socket 5 – male thr.		1 1/4"		

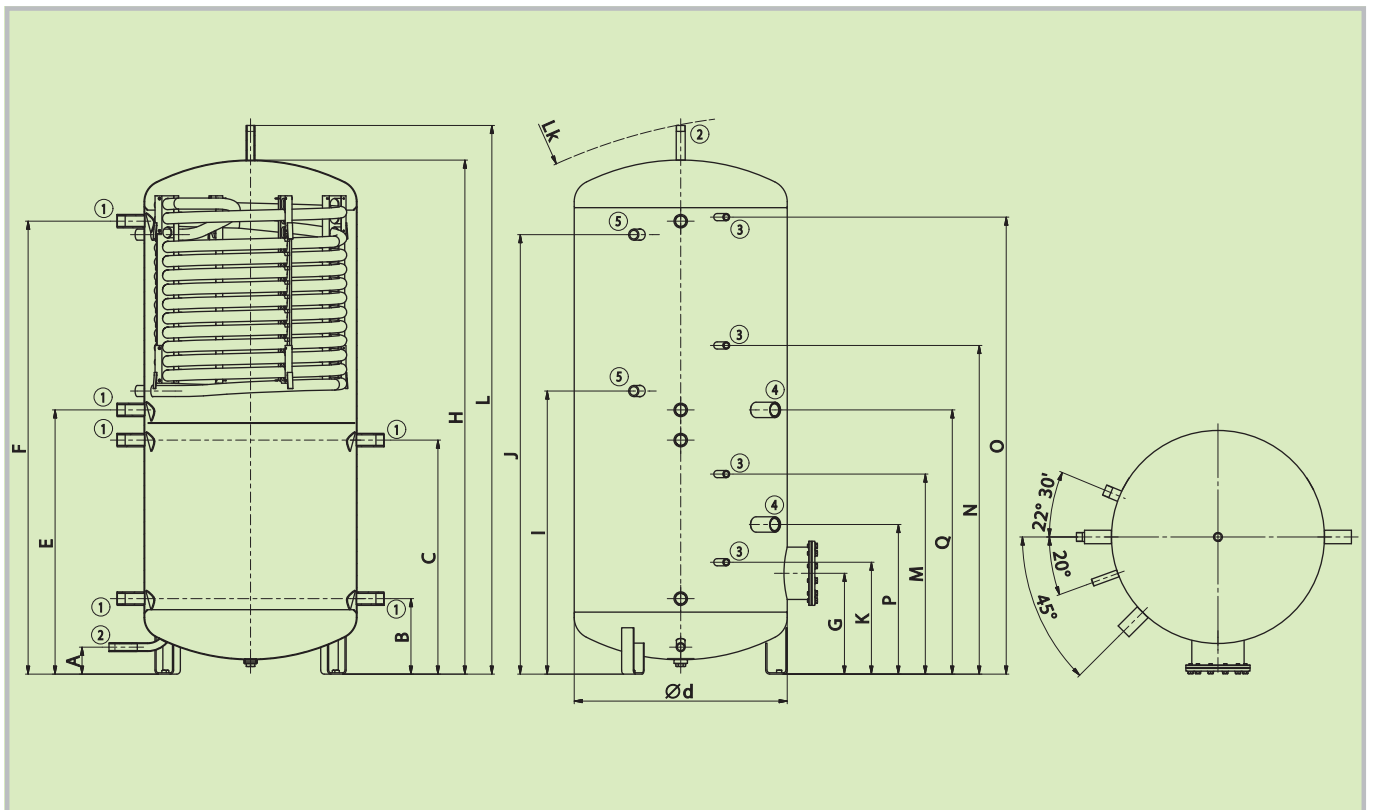
Technical parameters		NADO 300/20v11	NADO 400/20v11	NADO 750/25v11	NADO 1000/25v11
Order number		1210803160	1214803160	1218803147	1215803147
Heating water volume in tank	[l]	320	405	772	999
Volume of storage tank for HW heating	[l]	20	20	23	23
Weight	[kg]	106	122	165	197
Max. operating temperature / pressure in tank	[°C] / [bar]	90 / 3			
Max. operating temperature / pressure in exchanger HW	[°C] / [bar]	90 / 6			
Heat transfer surface of exchanger HW	[m ²]	4,5		6,25	
HW exchanger volume flow rate	[m ³ ·h ⁻¹]	0,6			
Capacity of hot water 40 °C at storage tank temperature 53 °C and inlet water 15 °C / HW flow rate*	[l] / [l·min ⁻¹]	210 / 10*	220 / 10*	240 / 10*	260 / 10*
Capacity of hot water 40 °C at storage tank temperature 80 °C and inlet water 15 °C / HW flow rate*	[l] / [l·min ⁻¹]	520 / 10*	540 / 10*	610 / 10*	650 / 10
Insulation thickness (Neodul LB PP)	[mm]	60		80	
Heat conductivity of insulation (Neodul LB PP)	[W·m ⁻¹ ·K ⁻¹]	0,032			
Insulation order number (Neodul LB PP)		tank component		6232093	6232092
Max. number × output of TPK 210-12	[ks] × [kW]	1 × 6		1 × 12	
Max. number × output of TJ 6/4" h. unit with extended cooling section	[ks] × [kW]	2 × 6		2 × 9	
Energy efficiency class (Neodul LB PP)		C			
Standing loss (Neodul LB PP)	[W]	97	113	114	148

Tank dimensions		NADO 300/20v11	NADO 400/20v11	NADO 750/25v11	NADO 1000/25v11
Tank diameter	∅ d	550	550	790	850
Tank diameter with insulation	∅ D	670	670	–	–
Total tank height	L	1702	1902	2035	2061
Tilting height	L _k	1821	2010	2073	2104
Stratification column socket	A	90	90	100	100
Z/T circuit socket	B	248	248	280	297
Z/T circuit socket	C	726	818	868	885
Z/T circuit socket	E	–	–	980	997
HW socket – inlet	F	1448	1648	1680	1697
HW socket – outlet	G	340	340	374	391
Tank height	H	–	–	1907	1932
Solar exchanger socket – outlet	I	1308	1508	1050	1067
Solar exchanger socket – inlet	J	1448	1648	1630	1647
Sensor pocket socket	K	468	468	415	432
Sensor pocket socket	M	1358	1558	742	759
Sensor pocket socket	N	1448	1648	1219	1236
Sensor pocket socket	O	–	–	1695	1712
TJ 6/4" heating unit socket	P	626	718	555	572
TJ 6/4" heating unit socket	Q	826	918	980	997





NADO 300, 400/20v11



NADO 750, 1000/25v11

Storage tank UKV NIBE



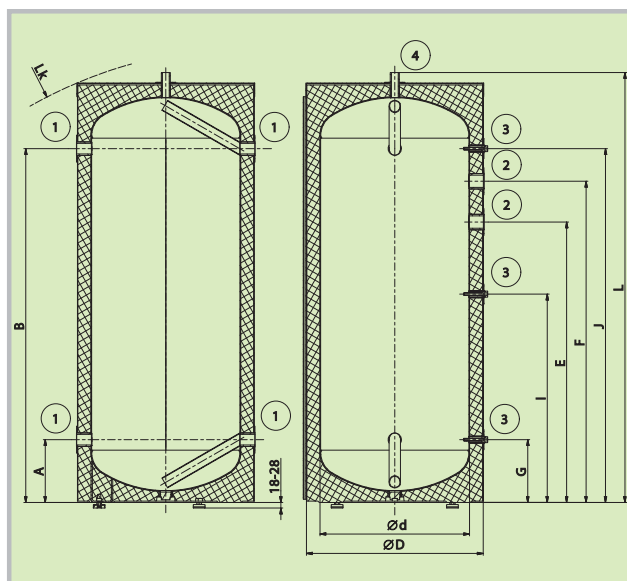
- Types: 300, 500 l
- The tank is supplied with non-detachable insulation
- Suitable as an equalization tank for heating systems with heat pumps
- The TJ 6/4" heating unit can be mounted into sockets



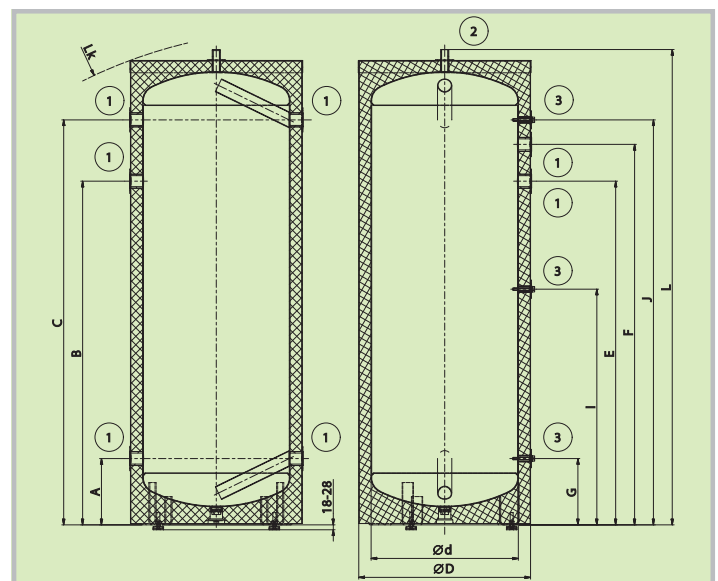
Socket dimensions	NIBE UKV 300	NIBE UKV 500
Socket 1	1¼" female thread	1½" female thread
Socket 2	1½" female thread	1" male thread
Socket 3	½" female thread	½" female thread
Socket 4	1" male thread	

Technical parameters		NIBE UKV 300	NIBE UKV 500
Order number		121080371	121380337
Heating water volume in tank	[l]	316	470
Weight	[kg]	79	103
Max. operating temperature / pressure in tank	[°C] / [bar]		90 / 6
Insulation thickness (Polyurethane)	[mm]		50
Heat conductivity of insulation (Polyurethane)	[W·m ⁻¹ ·K ⁻¹]		0,022
Max. number × output of TJ 6/4"	[ks] × [kW]	2 × 7,5	2 × 9
Energy efficiency class (Polyurethane)		C	C
Standing loss (Polyurethane)	[W]	79	96

Tank dimensions		NIBE UKV 300	NIBE UKV 500
Tank diameter	∅ d	550	600
Tank diameter with insulation	∅ D	650	700
Total tank height	L	1580	1937
Tilting height	L _k	1610	1980
Z/T circuit socket	A	230	270
Z/T circuit socket	B	1300	1400
Z/T circuit socket	C	–	1650
Heating unit socket	E	1030	1400
Heating unit socket	F	1180	1550
Sensor pocket socket	G	230	270
Sensor pocket socket	I	766	960
Sensor pocket socket	J	1300	1650



UKV 300



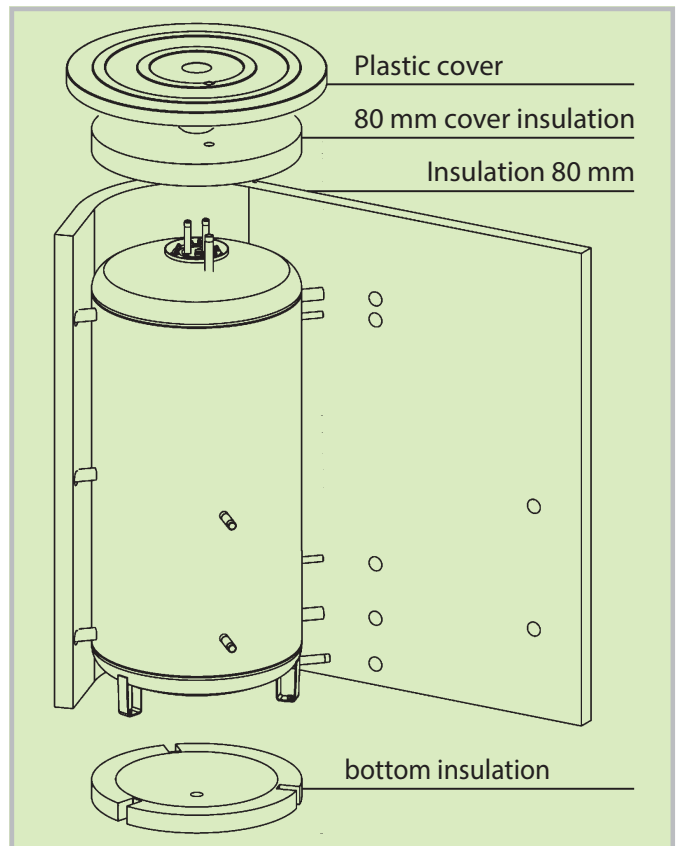
UKV 500

Heat insulation of the utmost quality

Neodul LB PP heat insulation

- The delivery includes a top cover, flange covers and hole caps
- The NAD 50, 100, 250 v1 and UKV 300, 500 tanks are supplied with polyurethane insulation

- Standard delivery for larger tanks
- The first and only category B series insulation on the market
- Standard thickness of insulation is 80 mm
- Example of heat loss for 500 l tank: 1.9 kWh / 24 h with an insulation thickness of 80 mm



Neodul LB PP



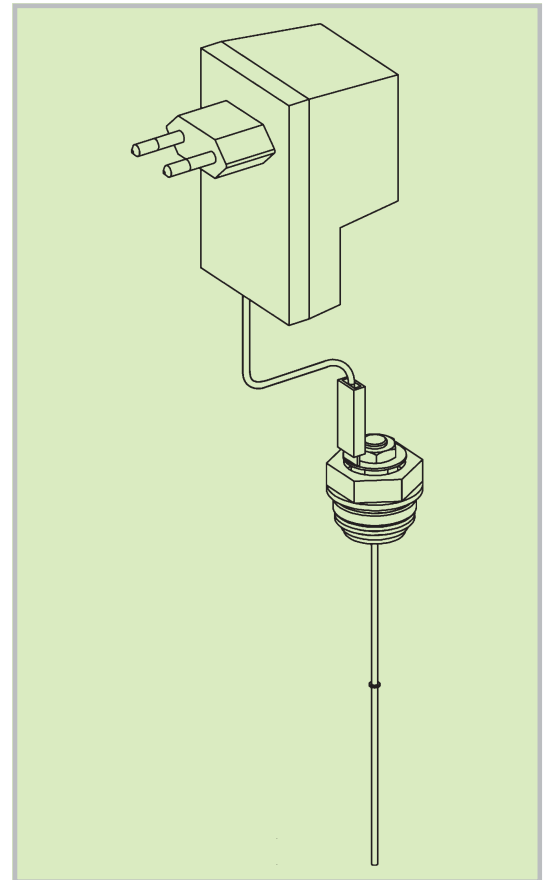
Original parts from Dražice

- 24 month warranty period
- Reliability and high quality
- Guarantee of functionality and safety
- Guaranteed long life
- Identical components used in manufacturing
- Easy availability throughout the Czech Republic

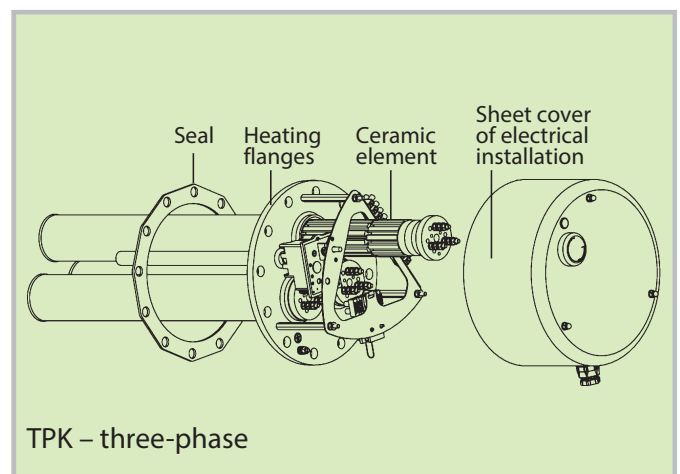
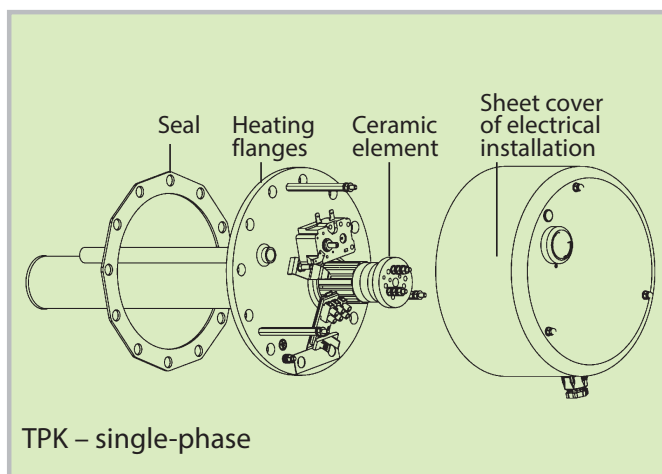
Anode with external power supply

- Used for protection of inner enamel storage tanks and extends their life span
- Usable up to a volume of 300 l
- Maintenance free, wear proof
- To order

Diameter	2 mm
Length	200 mm
Coat length	100 mm



Flanged heating units with ceramic body TPK



Original parts from Dražice

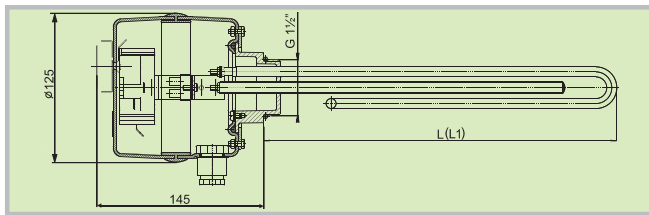
Screw-type electrical heating units of the TJ series

TJ G 6/4"		TJ 6/4"-2	TJ 6/4"-2,5	TJ 6/4"-3,3	TJ 6/4"-3,75	TJ 6/4"-4,5	TJ 6/4"-6	TJ 6/4"-7,5	TJ 6/4"-9
Order number L/L1		- / 2110311	- / 2110312	2110336 / -	- / 2110314	- / 2110315	- / 2110316	2110319 / 2110317	2110320 / 2110318
Power consumption	[kW]	2	2,5	3,3	3,75	4,5	6	7,5	9
Weight	[kg]	1,2	1,3	1,7	2	2	2	2 / 2,3	2 / 2,3
Extension length L/L1	[mm]	- / 380	- / 405	325 / -	- / 450	- / 500	- / 520	575 / 685	605 / 720
Electrical connection		1/N/PE ~ 230V/50Hz	1/N/PE ~ 230V/50Hz	3/N/PE ~ 400V/50Hz, Δ	3/N/PE ~ 400V/50Hz, Δ	3/N/PE ~ 400V/50Hz, Δ	3/N/PE ~ 400V/50Hz, Δ	3/N/PE ~ 400V/50Hz, Δ	3/N/PE ~ 400V/50Hz, Δ
Recomm. circuit breaker value	[A]	16	16	3 × 10	3 × 10	3 × 10	3 × 16	3 × 16	3 × 20
Degree of protection		IP44							
Scale of set temperature	[°C]	5-74							
Heat.time approx. 150110-60°C	[h]	4,5	4,0	2,7	2,3	2,0	1,5	1,3	1,0

Types TJ 6/4"-2 and TJ 6/4"-2,5 include new flexible supply cable in the socket.

Extension lengths are in a tolerance of ± 10 mm.

New galvanic separated unit.



Flanged electrical heating units of the R, SE series

R, SE		REU 18-2,5	RDU 18-2,5	RDU 18-3	RDU 18-3,8	RDU 18-5	RDU 18-6	RDW 18-7,5	RDW 18-10	RSW 18-12	RSW 18-15	SE 377	SE 378
Order number		100541551	100541560	100541561	100541562	100541563	100541564	100541570	100541571	100541580	100541581	100541517	100541511
Power consumption	[kW]	2,5	2,5	3	3,8	5	6	7,5	10	12	15	8-11-16	9,5-12,7-19
Weight	[kg]	3	3,3	3,4	3,5	3,5	3,5	3,7	4	4	4,2	8	11,5
Extension length	[mm]	450	450	450	450	450	450	450	450	530	630	610	740
Electrical connection		1/N/PE ~ 230V/50Hz	3/N/PE ~ 400V/50Hz, Δ	3/N/PE ~ 400V/50Hz, Δ	3/N/PE ~ 400V/50Hz, Δ	3/N/PE ~ 400V/50Hz, Δ	3/N/PE ~ 400V/50Hz, Δ	3/N/PE ~ 400V/50Hz, Δ	3/N/PE ~ 400V/50Hz, Δ	3/N/PE ~ 400V/50Hz, Δ	3/N/PE ~ 400V/50Hz, Δ	3/N/PE ~ 400V/50Hz, Δ	3/N/PE ~ 400V/50Hz, Δ
Recomm. circuit breaker value	[A]	16	3 × 6	3 × 6	3 × 10	3 × 10	3 × 16	3 × 16	3 × 20	3 × 20	3 × 25	3 × 25	3 × 32
Degree of protection		IPX4											
Heat.time approx. 300110-60°C	[h]	8,0	8,0	6,0	5,0	4,0	3,0	2,5	2,0	1,5	1,3	2,0-2,0-1,3	2,0-1,5-1,0

Extension lengths are in a tolerance of ± 10 mm.



Flanged electrical heating units with ceramic body of the TPK series

TPK		TPK 150-8/2,2	TPK 168-8/2,2	TPK 210-12/2,2	TPK 210-12/3-6	TPK 210-12/6,6	TPK 210-12/5-9	TPK 210-12/8-12	
Order number		2110409	2110055	2110053	2110050	2110410	2110051	2110052	
Power consumption	[kW]	2,2	2,2	2,2	3-4-6	6,6	5-7-9	8-10-12	
Weight	[kg]	4,2	4,2	6,6	12	13	13,6	14	
Extension length	[mm]	400	400	440	440	440	550	550	
Electrical connection		1/N/PE ~ 230V/50Hz	1/N/PE ~ 230V/50Hz	1/N/PE ~ 230V/50Hz	1/N/PE ~ 230V/50Hz, 3/N/PE ~ 400V/50Hz, Δ	3/N/PE ~ 3 × 230V/50Hz, Δ	3/N/PE ~ 400V/50Hz, Δ	3/N/PE ~ 400V/50Hz, Δ	
Recomm. circuit breaker value	[A]	16	16	16	20 / 3 × 16	20 / 3 × 16	3 × 20	3 × 25	
Degree of protection		IP42							
Scale of set temperature	[°C]	5-74							

* – according to connection method

Extension lengths are in a tolerance of ± 10 mm.



Original parts from Dražice

Mounting options for flanged electrical heating units of the R, SE series

Type	REU 18-2,5	RDU 18-2,5	RDU 18-3	RDU 18-3,8	RDU 18-5	RDU 18-6	RDW 18-7,5	RDW 18-10	RSW 18-12	RSW 18-15
NAD 500 v1	●	●	●	●	●	●	●	●	●	–
NAD 750 v1	●	●	●	●	●	●	●	●	●	●
NAD 1000 v1	●	●	●	●	●	●	●	●	●	●
NAD 500 v3	●	●	●	●	●	●	●	●	●	–
NAD 750 v3	●	●	●	●	●	●	●	●	●	●
NAD 1000 v3	●	●	●	●	●	●	●	●	●	●
NAD 500 v4	●	●	●	●	●	●	●	●	–	–
NAD 750 v4	●	●	●	●	●	●	●	●	●	●
NAD 1000 v4	●	●	●	●	●	●	●	●	●	●
NAD 500 v5	●	●	●	●	●	●	●	●	–	–
NAD 750 v5	●	●	●	●	●	●	●	●	●	–
NAD 1000 v5	●	●	●	●	●	●	●	●	●	●
NADO 500/140 v1	●	●	●	●	●	●	●	●	●	–
NADO 750/140 v1	●	●	●	●	●	●	●	●	●	●
NADO 1000/140 v1	●	●	●	●	●	●	●	●	●	●
NADO 500/200 v1	●	●	●	●	●	●	●	●	●	–
NADO 750/200 v1	●	●	●	●	●	●	●	●	●	●
NADO 1000/200 v1	●	●	●	●	●	●	●	●	●	●
NADO 500/140 v2	●	●	●	●	●	●	●	●	–	–
NADO 750/140 v2	●	●	●	●	●	●	●	●	●	–
NADO 1000/140 v2	●	●	●	●	●	●	●	●	●	●
NADO 500/100 v3	●	●	●	●	●	●	●	●	–	–
NADO 750/100 v3	●	●	●	●	●	●	●	●	●	–
NADO 1000/100 v3	●	●	●	●	●	●	●	●	●	●
NADO 300/20 v11	●	●	●	●	●	●	●	●	–	–
NADO 400/20 v11	●	●	●	●	●	●	●	●	–	–
NADO 750/25 v11	●	●	●	●	●	●	●	●	●	–
NADO 1000/25 v11	●	●	●	●	●	●	●	●	●	●

- can only be fitted with the 210/150 reduction flange
- cannot be fitted

Mounting options for flanged electrical heating units of the TPK series

Type	TPK 210-12/2,2 kW	TPK 210-12/3-6 kW	TPK 210-12/6,6 kW	TPK 210-12/5-9 kW	TPK 210-12/8-12 kW
NAD 500 v1	▲	▲	▲	▲	▲
NAD 750 v1	▲	▲	▲	▲	▲
NAD 1000 v1	▲	▲	▲	▲	▲
NAD 500 v3	▲	▲	▲	▲	▲
NAD 750 v3	▲	▲	▲	▲	▲
NAD 1000 v3	▲	▲	▲	▲	▲
NAD 500 v4	▲	▲	▲	–	–
NAD 750 v4	▲	▲	▲	▲	▲
NAD 1000 v4	▲	▲	▲	▲	▲
NAD 500 v5	▲	▲	▲	–	–
NAD 750 v5	▲	▲	▲	▲	▲
NAD 1000 v5	▲	▲	▲	▲	▲
NADO 500/140 v1	▲	▲	▲	▲	▲
NADO 750/140 v1	▲	▲	▲	▲	▲
NADO 1000/140 v1	▲	▲	▲	▲	▲
NADO 500/200 v1	▲	▲	▲	▲	▲
NADO 750/200 v1	▲	▲	▲	▲	▲
NADO 1000/200 v1	▲	▲	▲	▲	▲
NADO 500/140 v2	▲	▲	▲	–	–
NADO 750/140 v2	▲	▲	▲	▲	▲
NADO 1000/140 v2	▲	▲	▲	▲	▲
NADO 500/100 v3	▲	▲	▲	–	–
NADO 750/100 v3	▲	▲	▲	▲	▲
NADO 1000/100 v3	▲	▲	▲	▲	▲
NADO 300/20 v11	▲	▲	▲	–	–
NADO 400/20 v11	▲	▲	▲	–	–
NADO 750/25 v11	▲	▲	▲	▲	▲
NADO 1000/25 v11	▲	▲	▲	▲	▲

- ▲ can be fitted
- cannot be fitted

Original parts from Dražice

Mounting options for screw-type electrical heating units of the TJ series

Type	TJ 6/4" – 2*	TJ 6/4" – 2,5*	TJ 6/4" – 3,3	TJ 6/4" – 3,75*	TJ 6/4" – 4,5*	TJ 6/4" – 6*	TJ 6/4" – 7,5	TJ 6/4" – 7,5*	TJ 6/4" – 9	TJ 6/4" – 9*
NAD 50 v1	–	–	▲	–	–	–	–	–	–	–
NAD 100 v1	▲	▲	▲	▲	▲	▲	–	–	–	–
NAD 250 v1	▲	▲	▲	▲	▲	▲	–	–	–	–
NAD 500 v1	▲	▲	▲	▲	▲	▲	▲	–	▲	–
NAD 750 v1	▲	▲	▲	▲	▲	▲	▲	▲	▲	▲
NAD 1000 v1	▲	▲	▲	▲	▲	▲	▲	▲	▲	▲
NAD 500 v2	▲	▲	▲	▲	▲	▲	▲	–	▲	–
NAD 750 v2	▲	▲	▲	▲	▲	▲	▲	▲	▲	▲
NAD 1000 v2	▲	▲	▲	▲	▲	▲	▲	▲	▲	▲
NAD 300 v3	▲	▲	▲	▲	▲	▲	▲	–	▲	–
NAD 500 v3	▲	▲	▲	▲	▲	▲	▲	–	▲	–
NAD 750 v3	▲	▲	▲	▲	▲	▲	▲	▲	▲	▲
NAD 1000 v3	▲	▲	▲	▲	▲	▲	▲	▲	▲	▲
NADS 800 v3	▲	▲	▲	▲	▲	▲	▲	▲	▲	▲
NADS 900 v3	▲	▲	▲	▲	▲	▲	▲	▲	▲	▲
NAD 500 v4	▲	▲	▲	▲	▲	▲	▲	–	▲	–
NAD 750 v4	▲	▲	▲	▲	▲	▲	▲	▲	▲	▲
NAD 1000 v4	▲	▲	▲	▲	▲	▲	▲	▲	▲	▲
NAD 500 v5	▲	▲	▲	▲	▲	▲	▲	–	▲	–
NAD 750 v5	▲	▲	▲	▲	▲	▲	▲	▲	▲	▲
NAD 1000 v5	▲	▲	▲	▲	▲	▲	▲	▲	▲	▲
NADO 500/140 v1	▲	▲	▲	▲	▲	▲	▲	–	▲	–
NADO 750/140 v1	▲	▲	▲	▲	▲	▲	▲	▲	▲	▲
NADO 1000/140 v1	▲	▲	▲	▲	▲	▲	▲	▲	▲	▲
NADO 500/300 v1	▲	▲	▲	▲	▲	▲	▲	▲	▲	▲
NADO 750/250 v1	▲	▲	▲	▲	▲	▲	▲	▲	▲	▲
NADOS 800/140 v1	▲	▲	▲	▲	▲	▲	▲	▲	▲	▲
NADOS 900/140 v1	▲	▲	▲	▲	▲	▲	▲	▲	▲	▲
NADO 500/140 v2	▲	▲	▲	▲	▲	▲	▲	–	▲	–
NADO 750/140 v2	▲	▲	▲	▲	▲	▲	▲	▲	▲	▲
NADO 1000/140 v2	▲	▲	▲	▲	▲	▲	▲	▲	▲	▲
NADOS 800/140 v2	▲	▲	▲	▲	▲	▲	▲	▲	▲	▲
NADOS 900/140 v2	▲	▲	▲	▲	▲	▲	▲	▲	▲	▲
NADO 300/20 v6	▲	▲	–	▲	▲	–	–	–	–	–
NADO 500/25 v6	▲	▲	–	▲	▲	▲	–	–	–	–
NADO 750/35 v6	▲	▲	–	▲	▲	▲	–	–	–	–
NADO 1000/45 v6	▲	▲	–	▲	▲	▲	–	–	–	–
NADO 500/200 v7	▲	▲	–	▲	▲	▲	–	–	–	–
NADO 750/200 v7	▲	▲	–	▲	▲	▲	–	–	–	–
NADO 1000/200 v7	▲	▲	–	▲	▲	▲	–	–	–	–
NADO 800/35 v9	▲	▲	–	▲	▲	▲	–	–	–	–
NADO 1000/35 v9	▲	▲	–	▲	▲	▲	–	–	–	–
NADO 300/20 v11	▲	▲	▲	▲	▲	▲	–	–	–	–
NADO 400/20 v11	▲	▲	▲	▲	▲	▲	–	–	–	–
NADO 750/25 v11	▲	▲	▲	▲	▲	▲	▲	▲	▲	▲
NADO 1000/25 v11	▲	▲	▲	▲	▲	▲	▲	▲	▲	▲
UKV 300	▲	▲	▲	▲	▲	▲	▲	–	–	–
UKV 500	▲	▲	▲	▲	▲	▲	▲	–	▲	–

* TJ 6/4" with extended cold side

- ▲ can be fitted
- cannot be fitted

Družstevní závody Dražice-strojírna s.r.o.
Dražice 69, 294 71 Benátky nad Jizerou
Česká republika

Tel.: +420/326 370 990
Fax: +420/326 370 980
E-mail: prodej@dzd.cz
www.dzd.cz



Cerbos

küttesüsteemid • müük • paigaldus • hooldus



© September/2019
The current version can be found on www.dzd.cz.
The manufacturer reserves the right to changes.

PROUD
PARTNER OF

